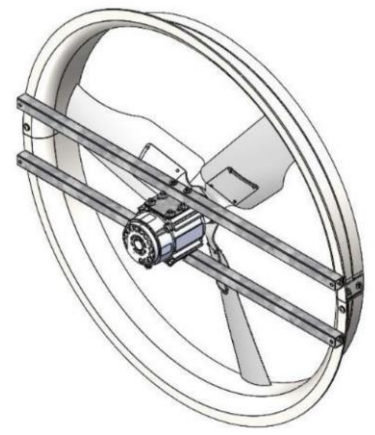


Circulating Fans

50" Blast Fans

A direct drive circulation fan that is economical and efficient for all barn types.



Utilize a high efficiency motor and cash in on environmental rebates with energy savings. This fan can work in a variety of barn ventilation strategies but works particularly well in naturally ventilated barns to boost air circulation.

The 50" Blast fan is truly a jack-of-all-trades. By utilizing an EC motor (a motor with added electronics which combines the best features from both AC & DC power), no VFD is required to take control of your barn's efficiency and energy usage.

This fan boasts maximum air velocity and distance coverage while maintaining:

- ✓ Outstanding motor performance
- ✓ Energy conservation
- ✓ Versatile applications
- ✓ Low maintenance costs



ROI is always in mind – this is an economic choice for a direct drive fan.



With no parts or belts to change, your solution has a longer life cycle and less preventative maintenance.



This is a win-win for hitting performance goals and energy efficiency with one fan!



Works well with curtains and can be easily mounted onto your feed fronts or integrated with louvered fans for a full ventilation strategy.

Circulating Fans

50" Blast Fans

A direct drive circulation fan that is economical and efficient for all barn types.



Performance Data

Volt	HP (KW)	Phase	RPM	Speed	Watts	lbf	lbf/kW	CFM	CFM/W
230/460	1.47 (1.1KW)	1/3	600	Variable	1100	23.47	21.3	22228	20.2
230/460	1.13 (0.84 KW)	1/3	540	Variable	840	19.2	22.8	20090	23.9
230/460	0.86 (0.64 KW)	1/3	490	Variable	640	16.2	25.2	18442	28.8
230/460	0.8 (0.6 KW)	1/3	480	Variable	600	15.4	25.6	17984	30
230/460	0.72 (0.54 KW)	1/3	450	Variable	540	13.2	24.5	16700	30.9
230/460	0.52 (0.39 KW)	1/3	400	Variable	390	10.6	27.2	14955	38.4
230/460	0.36 (0.27 KW)	1/3	350	Variable	270	8.4	31.1	13297	49.3
230/460	0.25 (0.185 KW)	1/3	300	Variable	185	6.1	32.9	11292	61

***No VFD is required*

**Full Load AMP for 230 volt and 1 phase is 4.5 amp*

**Full Load AMP for 460 volt and 3 phase is 2 amp*

