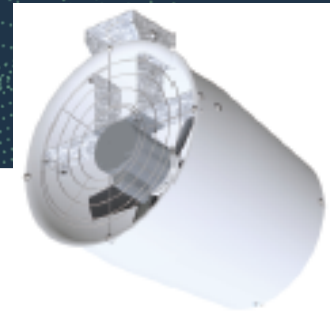


20" JET FAN



Name: Recirculation Jet fan20

Size: 20"

Detail product:

Composite fiber recirculation fan provides energy efficient and cost-effective way for mixing air for a large numbers of application. Fan is shipped in completely assembly.

Optimum application:

20" composite fiber recirculation fan is the optimum solution for livestock and poultry application. This fan offers superior performance and good efficiency. The deep venturi housing shaped gives optimum performance to intake air. Air velocity and distance coverage are optimizing.

Other environment:

Reduce heat stress and improve air quality. This fan will increase the air velocity in dairy, poultry, swine, greenhouse and industry. Improve air circulation and distribution. Easy for installation.

FEATURES

Housing:

1. Made with reinforced composite fiber, high density, durable, sturdy, and corrosion free.
2. Thicker layer of U.V. protection on composite surface.
3. Extra layer of resin outside to give smooth surface for easy maintenance and cleaning.
4. Deep aerodynamic venturi housing and narrow cone encourage concentration of air flow.

Propeller

1. 6 reinforced nylon blade.
2. Cast aluminium hub supports 6 nylon blade.
3. Propeller pitch and motor are closely matched to provide

maximal output of air flow and best efficiency.

Motor

1. Standard motors are totally enclosed, high efficiency.
2. All motors are designed and rated for years of trouble free operation.
3. Quiet operation.

Support and frame

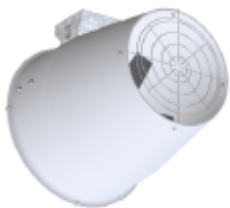
1. Built in central with T frame support, fixed inside housing, this design provides a strong support that aligns the propeller centered in the orifice for maximal performance.
2. #304 stainless steel hardware.
3. Different configuration of support is available to install the recirculation fan inside of building.

Guard

1. Heavy gauge zinc plated wire with powder coating finishing to prevent corrosion for years.

Optional accessories:

1. Motor 1 phase or 3 phase.
2. Motor 1/3HP to 1/2HP.
3. OSHA safe guard.
4. Thermal protection.
5. Swivel mounting bracket for mounting the fan to ceiling, post, wall.
6. Misting and fogging pressure ring kit for greater cooling.
7. Other configuration available on request.
8. Stainless motor base, guard, mounting bracket for hard environment.



20" JET FAN

20" JET FAN

CONFIGURATIONS & PERFORMANCE DATA

Parts no:	Nominal size	Power (kw)	Volts	AMPS	Hz	Motor Spd	Velocity FPM (5D)	Thrust (lbf)	Thrust Eff. Ratio	kW input	RPM	Thrust CFM (airflow rate)	Efficacy (thrust cfm/W)	Drive	Blade	Test ref #
	20"	0.25	230	2.16	60	1725	898	4.77	11.36	0.42	1608	4124	9.8	6/DD	Nylon	160704-01TC
	20"	0.375	230	2.8	60	1725	1202	6.6	11.89	0.56	1682	4750	8.6	6/DD	Nylon	160704-02TC

*Other configuration are available.

*For complete description and detail please call now.

