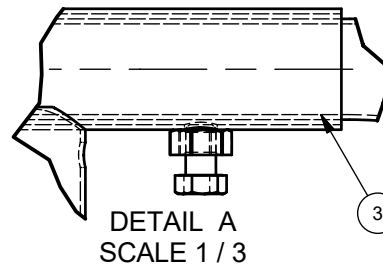
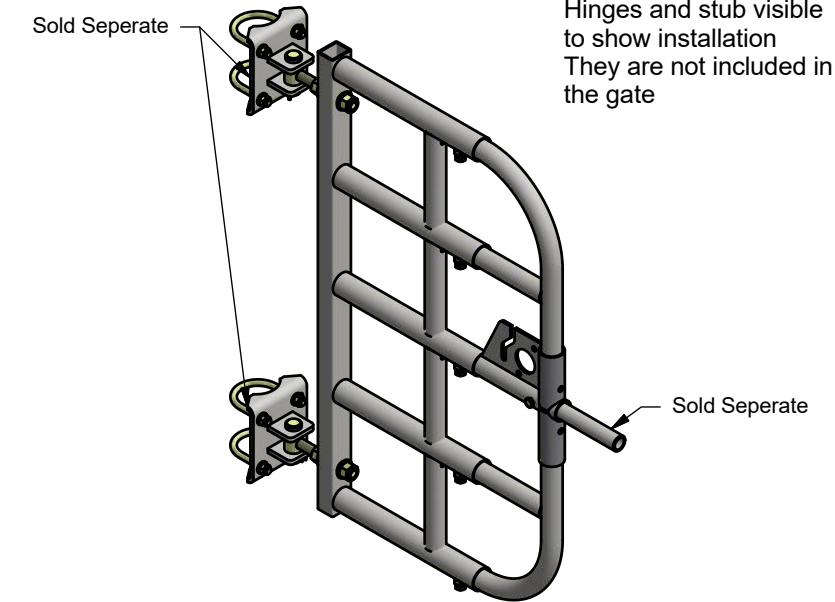
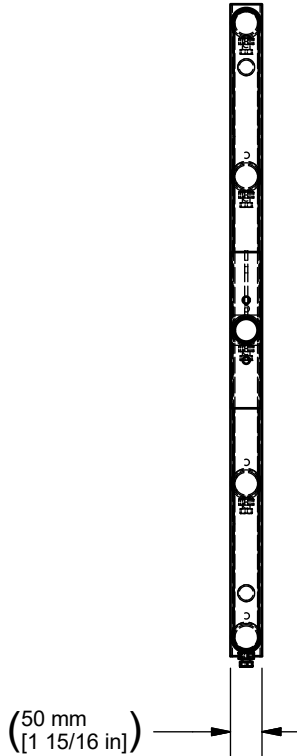
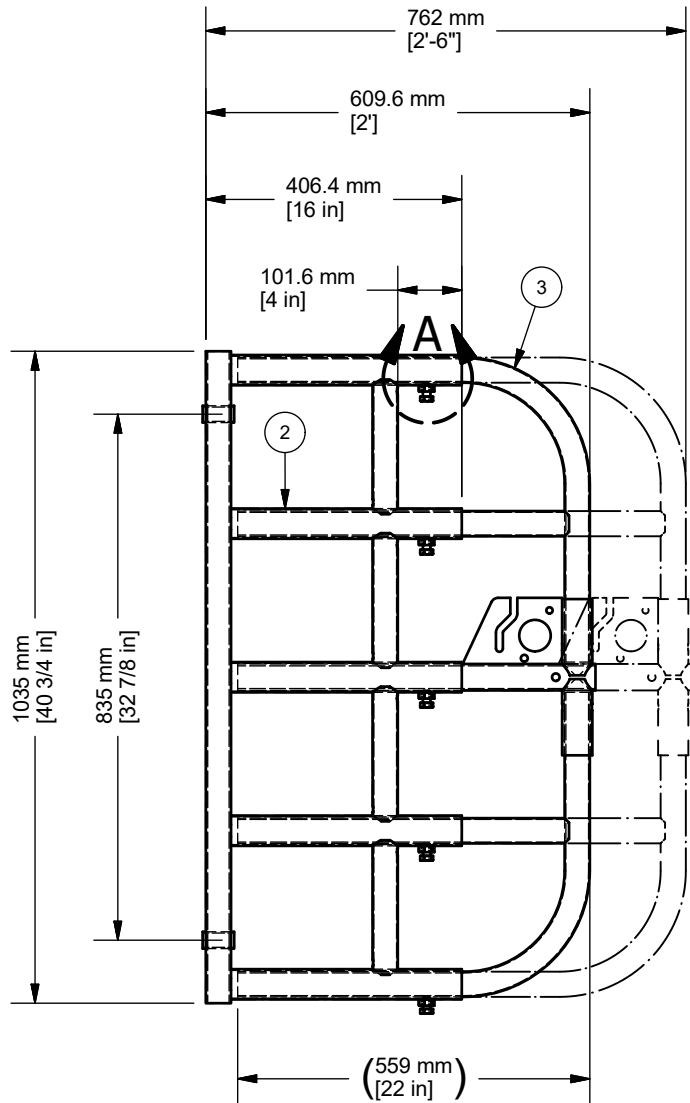


Parts List						
ITEM	QTY	PART No.	DESCRIPTION	MATERIAL	PROCESS	REV
1	5	107504	Bolt - Hex - M12 x 20mm (3/4") - Full Thread - C8.8 - GB/T 5783-2000	Steel	Purchased	1
2	1	36704	Gate - 5 Bar - Adjustable - Outer Assembly - 609mm to 762mm (2' to 2.5')	As BOM	Assemble/Weld	0
3	1	36707	Gate - 5 Bar - Adjustable - Inner Assembly - 559mm (22")	As BOM	Assemble/Weld	0



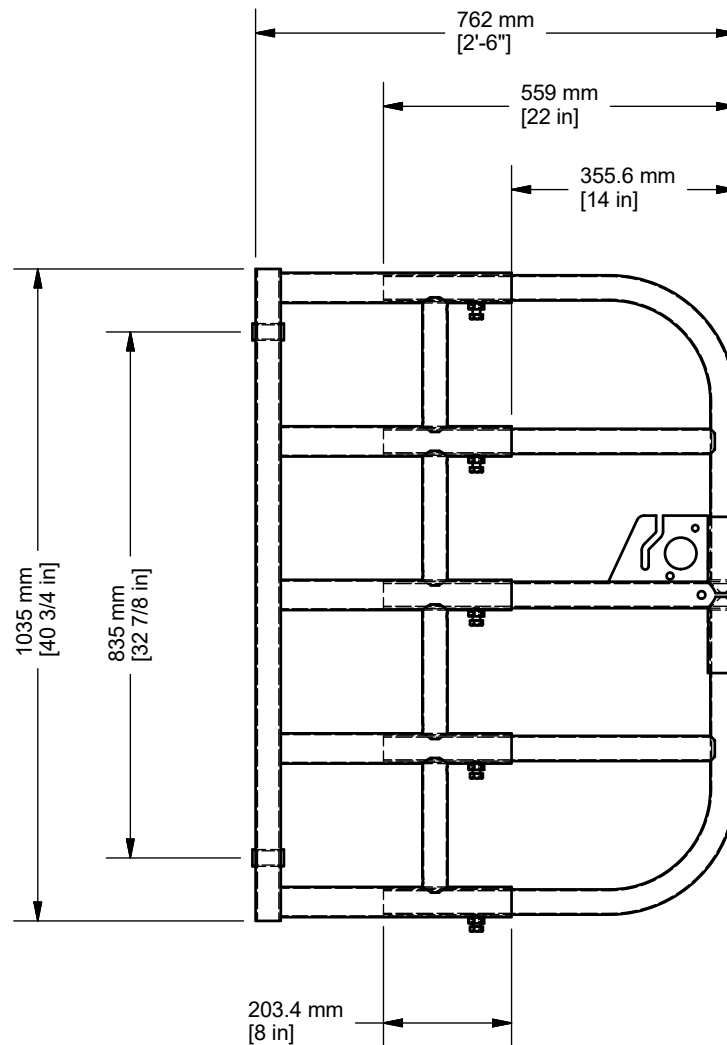
Fully Retract to 2.0'

REVISION HISTORY			
REV	REV BY	DESCRIPTION	DATE
0	AIP	Initial Release	24/11/2020

+1-888-622-2999 www.ves-artex.com Chippewa Falls, WI USA <small>This document and its contents are the exclusive property of Artex Barn Solutions Ltd., and may not be copied, reproduced, transmitted or communicated to a third party, nor used for any purpose without written permission.</small>	DRAWN 24/11/2020 apopov APPROVED ED By Jjieffering at 1:18 pm, Nov 25, 2020	MATERIAL	Cattle Handling - Standard Adjustable Gates - 5 Bar Gates		
	UNLESS OTHERWISE SPECIFIED- TOLERANCES: METRIC ± 1.0 mm STANDARD ± 0.04 in ANGULAR ± 1°	PROCESS	Adjustable Gate - 5 Bar - 610mm - 762mm (2' - 2.5')		
		FINAL FINISH	SIZE	DWG No	REV
		Hot Dip Galvanized	A	108080	0
	WEIGHT	18.3 kg	DO NOT SCALE DRAWING		SHEET 1 OF 3

2

1



Extended to 2.5'



This document and its contents are the exclusive property of Artex Barn Solutions Ltd., and may not be copied, reproduced, transmitted or communicated to a third party, nor used for any purpose without written permission.

DRAWN 24/11/2020  
apopov

APPROVED

UNLESS OTHERWISE  
SPECIFIED- TOLERANCES:  
METRIC  $\pm 1.0$  mm  
STANDARD  $\pm 0.04$  in  
ANGULAR  $\pm 1^\circ$

MATERIAL

PROCESS

Assemble

FINAL FINISH  
Hot Dip Galvanized

WEIGHT

18.3 kg

Cattle Handling - Standard  
Adjustable Gates - 5 Bar Gates  
Adjustable Gate - 5 Bar - 610mm - 762mm (2' - 2.5')

SIZE  
A

DWG No  
36703

REV  
0



DO NOT SCALE  
DRAWING

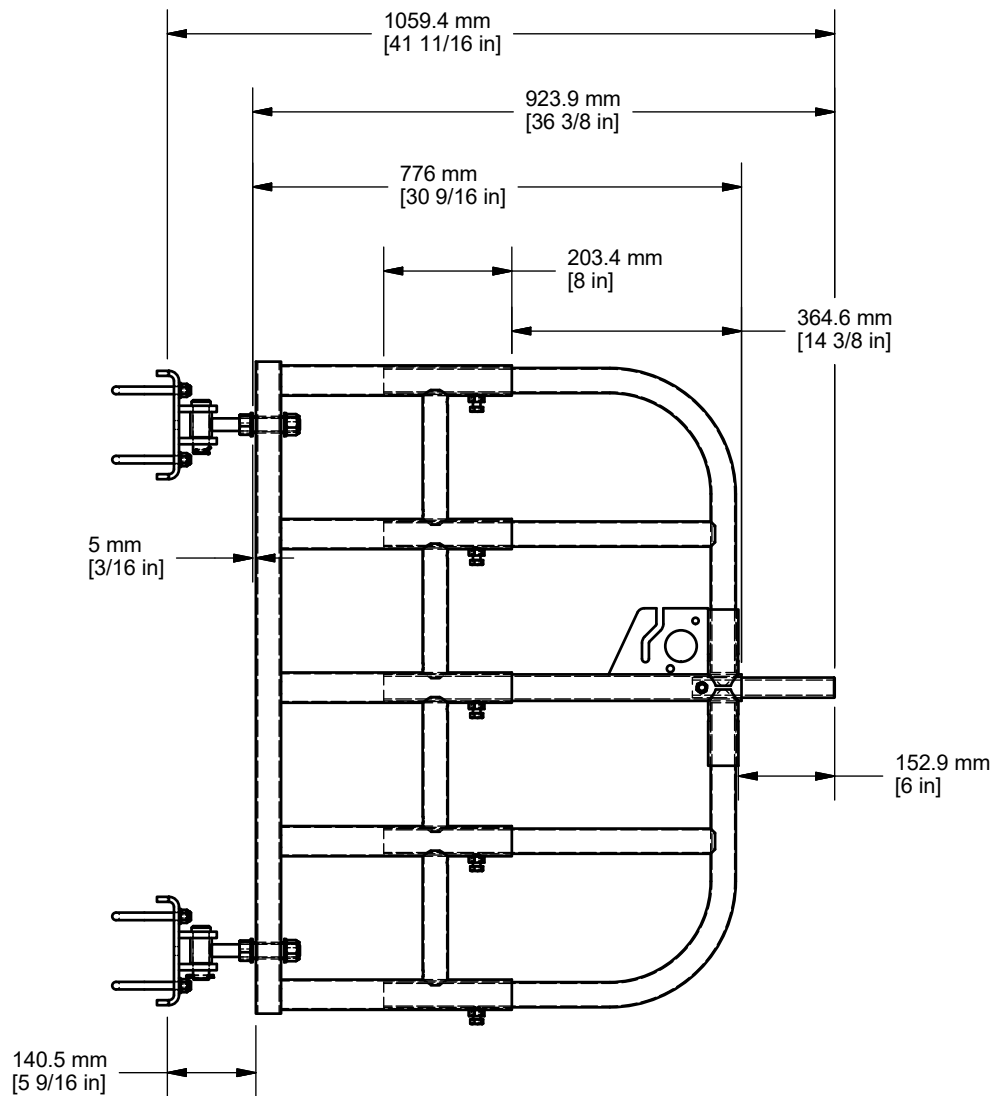
SHEET 2 OF 3

2


1

2

1



Fully extended with gate hinge and stub added

 <b>Artex</b> BARN SOLUTIONS™ +1-604-870-1000 www.artexbarnsolutions.com Abbotsford, B.C. Canada <small>This document and its contents are the exclusive property of Artex Barn Solutions Ltd., and may not be copied, reproduced, transmitted or communicated to a third party, nor used for any purpose without written permission.</small>	DRAWN 24/11/2020 apopov	MATERIAL	Cattle Handling - Standard Adjustable Gates - 5 Bar Gates		
	APPROVED	PROCESS	Adjustable Gate - 5 Bar - 610mm - 762mm (2' - 2.5')		
	<small>UNLESS OTHERWISE SPECIFIED- TOLERANCES:</small> METRIC ± 1.0 mm STANDARD ± 0.04 in ANGULAR ± 1°	FINAL FINISH Hot Dip Galvanized	Assemble	SIZE A	DWG No 36703
		WEIGHT 18.3 kg		REV 0	SHEET 3 OF 3

2

1