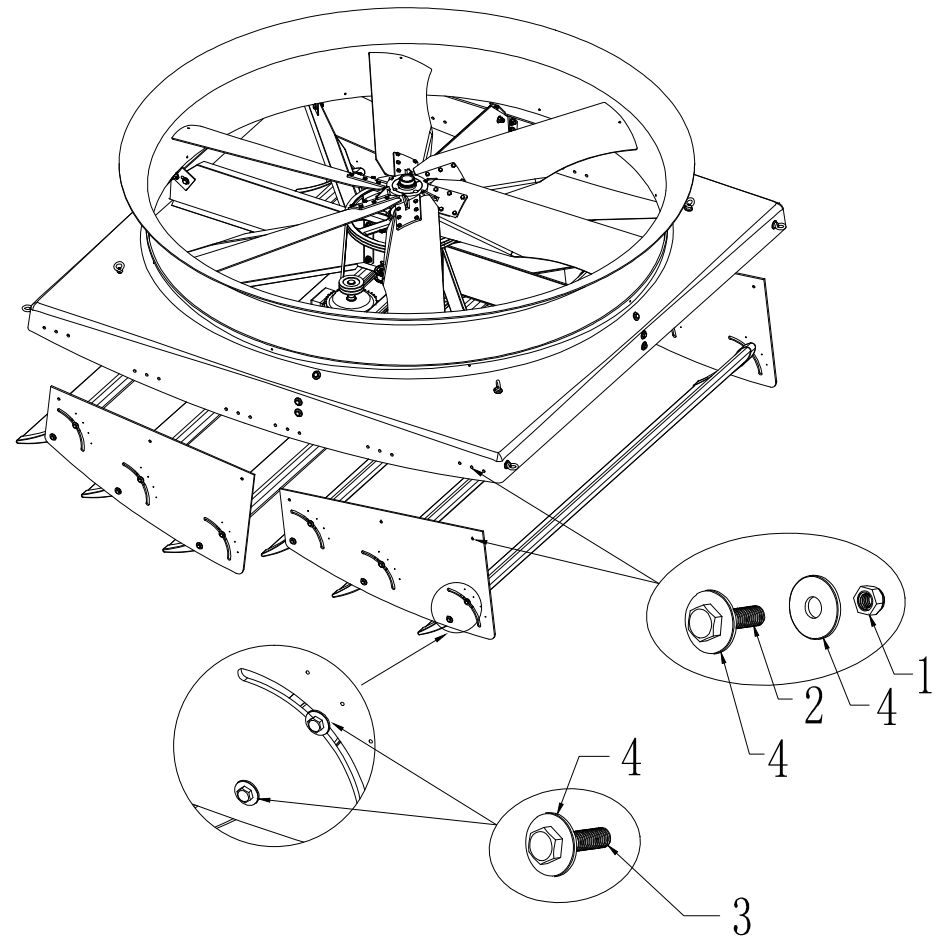


PEV-016-ECVC\_72\_Deflector\_Hardware-01

ECVC 72" DEFLECTOR HARDWARE			
NO.	PART NAME	MATERIALS	QTY
1.	LOCK NUT M8	CALV. ZN	12
2.	BOLT M8*30	CALV. ZN	12
3.	BOLT M8*40	CALV. ZN	24
4.	WASHER $\phi 8*25$ MM	CALV. ZN	48

**VES-Artex**  
a **TURNTIDE** company

S-VHV72-2015001-A



ECVC 72" DEFLECTOR HARDWARE

ECVC 72" DEFLECTOR HARDWARE			
NO.	PART NAME	MATERIALS	QTY
1.	LOCK NUT M8	CALV. ZN	12
2.	BOLT M8*30	CALV. ZN	12
3.	BOLT M8*40	CALV. ZN	24
4.	WASHER $\phi 8*25$ MM	CALV. ZN	48

**VES-Artex**  
a **TURNTIDE** company

S-VHV72-2015001-A