

## 50" Blast Pulley Alignment

PIG-011-50\_Blast\_Pulley\_Alignment-01

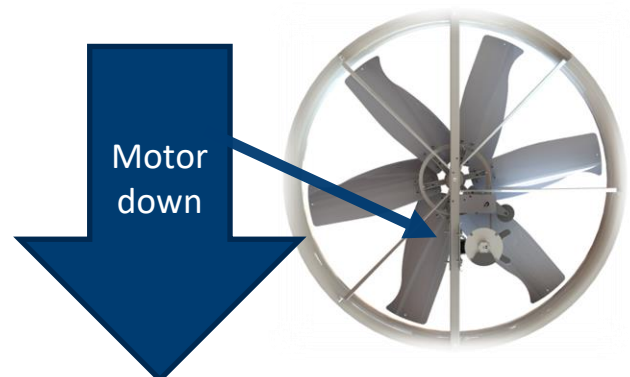
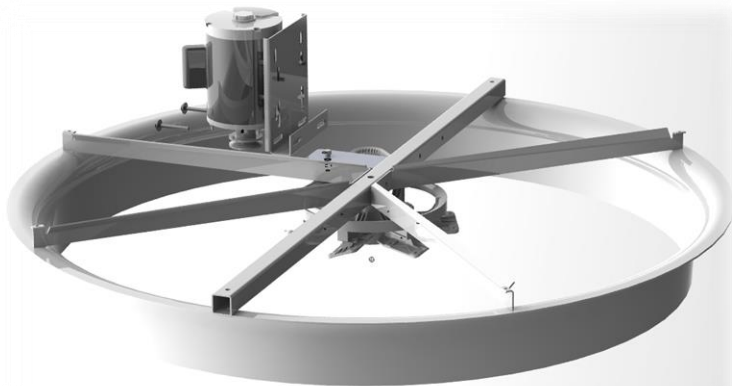
Your VES-Artex 50" Blast fan requires some assembly, attaching motor/mounting plate to the frame. The following is a guideline to follow when attaching motor/mounting plate to the fan. The motor itself comes with the motor pulley attached to the shaft (this can be adjusted to ensure proper belt alignment in needed). The motor itself is attached to a motor mount plate, 2-M8 X 20 MM bolts are holding the motor to the plate when shipped. A kit included 2-M8 X 20 MM and 2-M8 X 70 MM is also supplied, or your kit will be supplied with all hardware if the motor is not attached. The 2-M8 X 70 MM will be used to attached the motor mount plate to the frame. The M8 X 20 MM will be used to finally secure the motor to the mounting plate.

Be sure to stand the fan up and attach motor/mounting plate with weight of motor pulling toward the ground for help in belt tensioning. Approximately 95% of the belt tension should be applied with the motor/mounting plate being attached.

### STEP 1

Be sure to put belt on motor pulley while you attach the motor/mounting plate. Attach motor mounting plate to fan using the 2-M8 X 70 MM bolts, washers and nylocks in hardware kit supplied. Do not tighten completely as you may need to make some adjustments for proper belt tension as plate is slotted to allow movement. Line up the two pulleys as close as you can and put M8 X 20 MM bolts, washers and nylocks thru motor and mounting plate, once again not completely tightening.

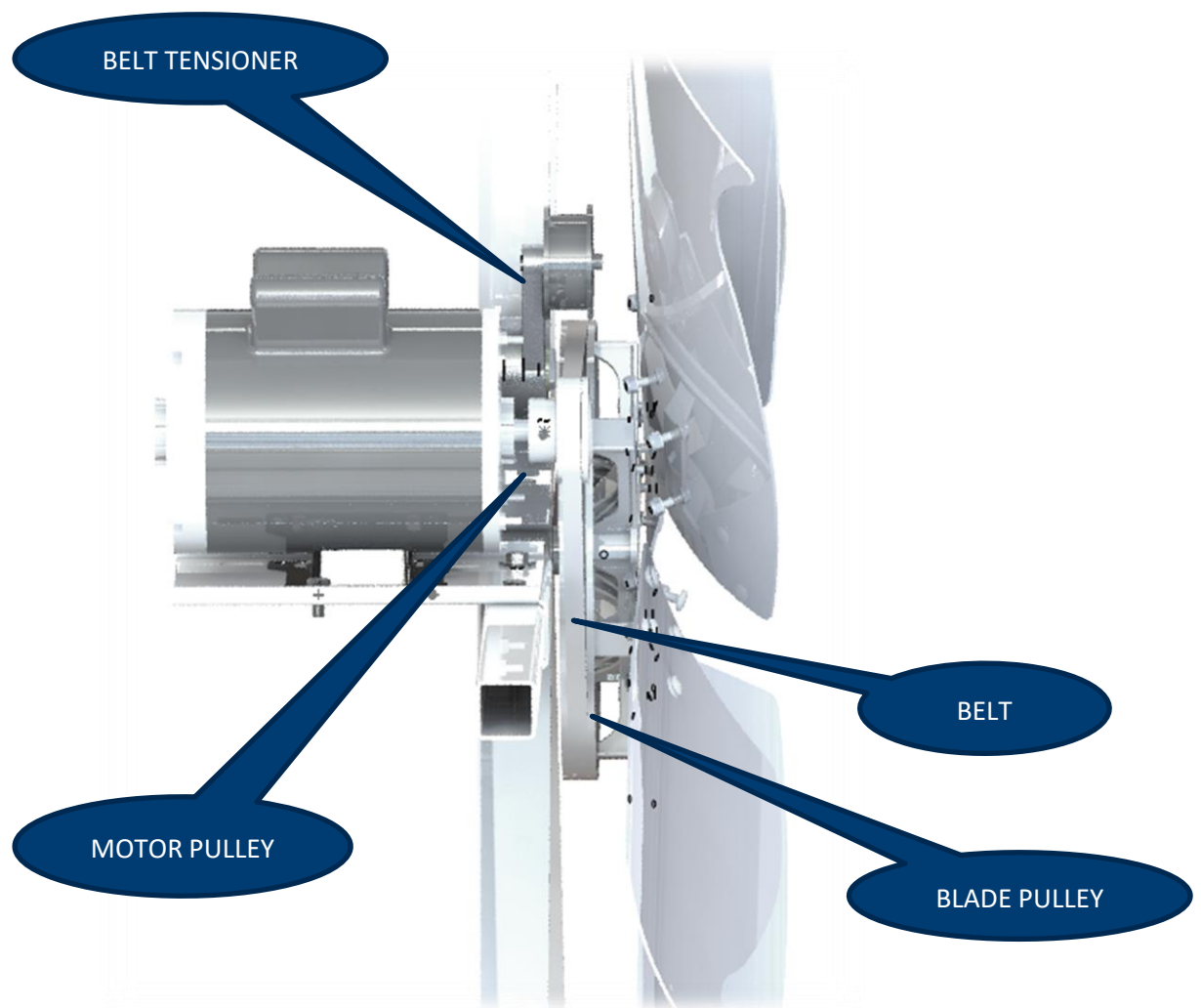
You may choose to mount the motor after the fan is hanging, however for ease of install this is NOT recommended unless a list is available.



## 50" Blast Pulley Alignment

### STEP 2

Attach the belt to small pulley on the motor and spin large pulley until the belt is attached securely to both pulleys. Make sure the tensioner is on the outside (smooth side of belt). During this step you will be sure the belt is aligned. Use the slots in the motor mounting plate to slide the motor back and forward to link up the belt.



## 50" Blast Pulley Alignment

### STEP 3

Once you have aligned both pulleys and the belt is secured snugly, you can tighten all the nylocks. The belt tensioner is spring loaded and should only apply minimal pressure to belt, yet still have spring to apply pressure as belt wears in.

**For mounting the 50" Blast Fan to wood post the 104017 is available  
Four steel mounting option 104019 is available**

