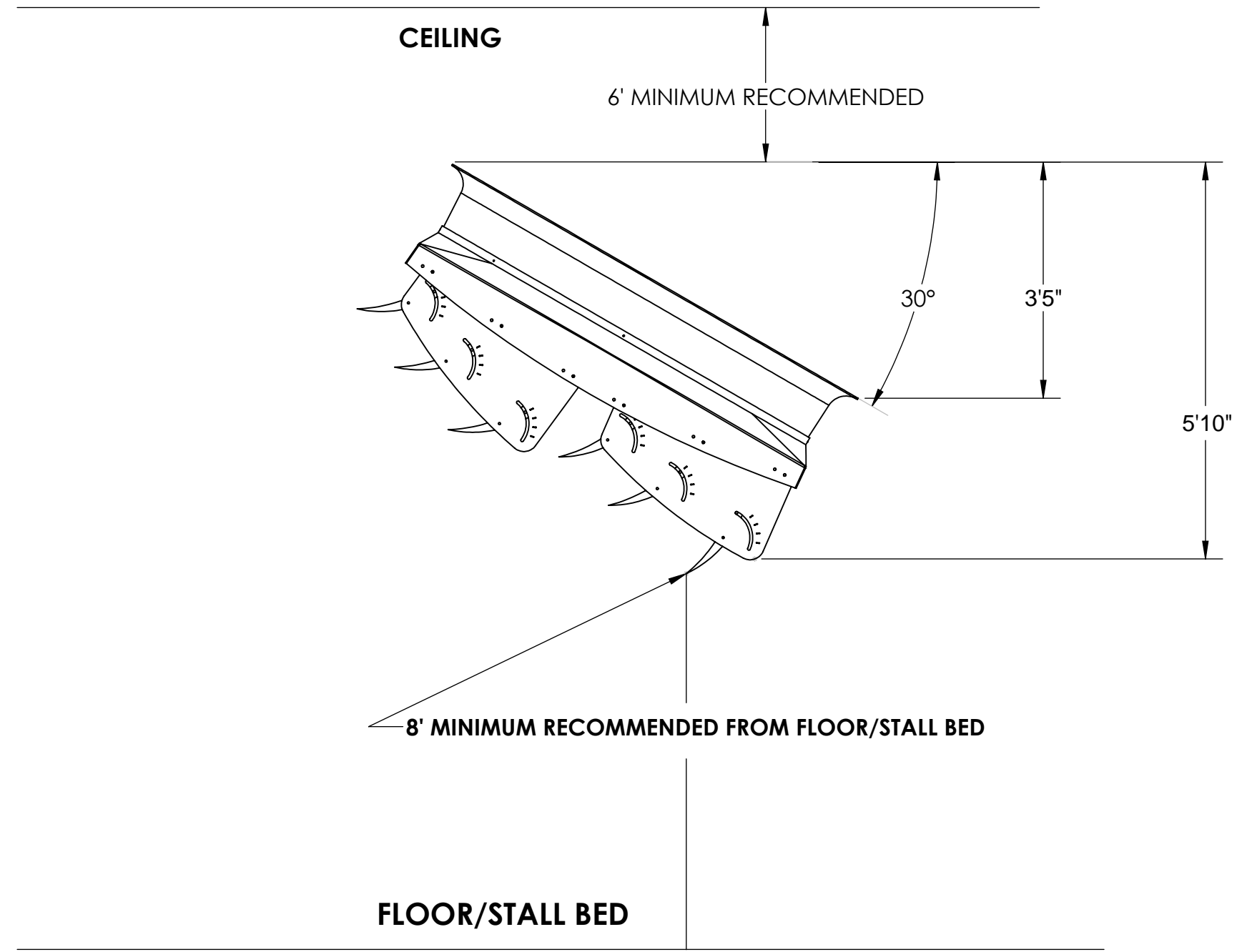


8 7 6 5 4 3 2 1

D
C
B
A

D
C
B
A



UNLESS OTHERWISE SPECIFIED:
 DIMENSIONS ARE IN INCHES
 TOLERANCES:
 FRACTIONAL ± 1/16
 ANGULAR: MACH ± .5° BEND ±
 TWO PLACE DECIMAL ± .03
 THREE PLACE DECIMAL ± .015

PIG-018-ECVC72_Quick_Install-01

REV	BY	DATE	DESCRIPTION
FACTORY:			
FACTORY APPROVAL:			
CUSTOMER:			
CUSTOMER APPROVAL:			

VES-Artex
 a TURNTIDE company
 1313 Lakeland Dr.
 Chippewa Falls, WI 54729
 P: 888-622-2999
 www.ves-artex.com

PROPRIETARY AND CONFIDENTIAL
 THE INFORMATION CONTAINED IN THIS DRAWING IS THE SOLE PROPERTY OF VES ENVIRONMENTAL SOLUTIONS. ANY REPRODUCTION IN PART OR AS A WHOLE WITHOUT THE WRITTEN PERMISSION OF VES ENVIRONMENTAL SOLUTIONS IS PROHIBITED.

MATERIAL	NAME	DATE
FINISH	DRAWN	5/8/2014
	APPR.	

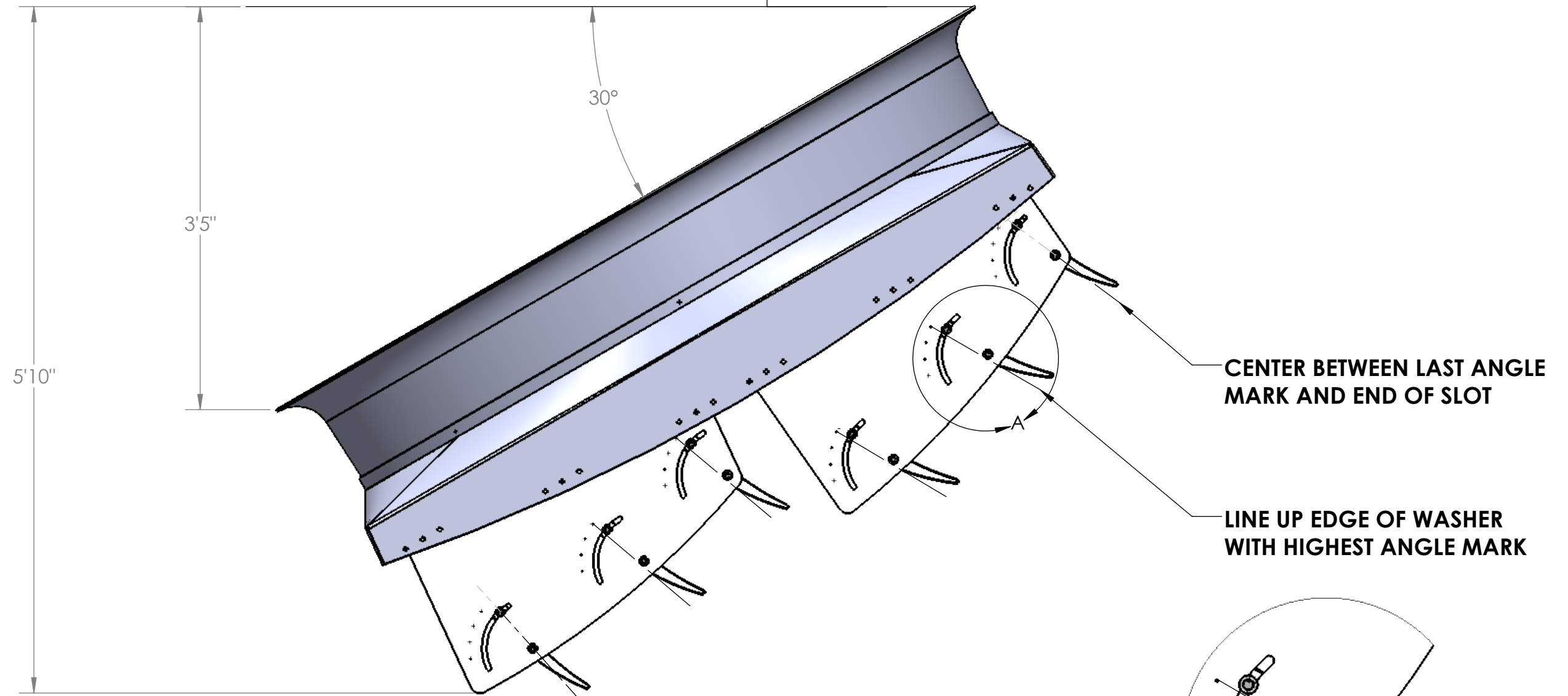
TITLE: ECVC72 QUICK INSTALL

SIZE	DWG. NO.	REV
B	IS1070	
SCALE: 1:24	WEIGHT:	SHEET 1 OF 1

8 7 6 5 4 3 2 1

CEILING

RECOMMENDED 6' FROM CEILING TO CONE HIGH POINT



CENTER BETWEEN LAST ANGLE MARK AND END OF SLOT

CENTER BETWEEN LAST ANGLE MARK AND END OF SLOT

LINE UP EDGE OF WASHER WITH HIGHEST ANGLE MARK

DEFLECTOR PLACEMENT

