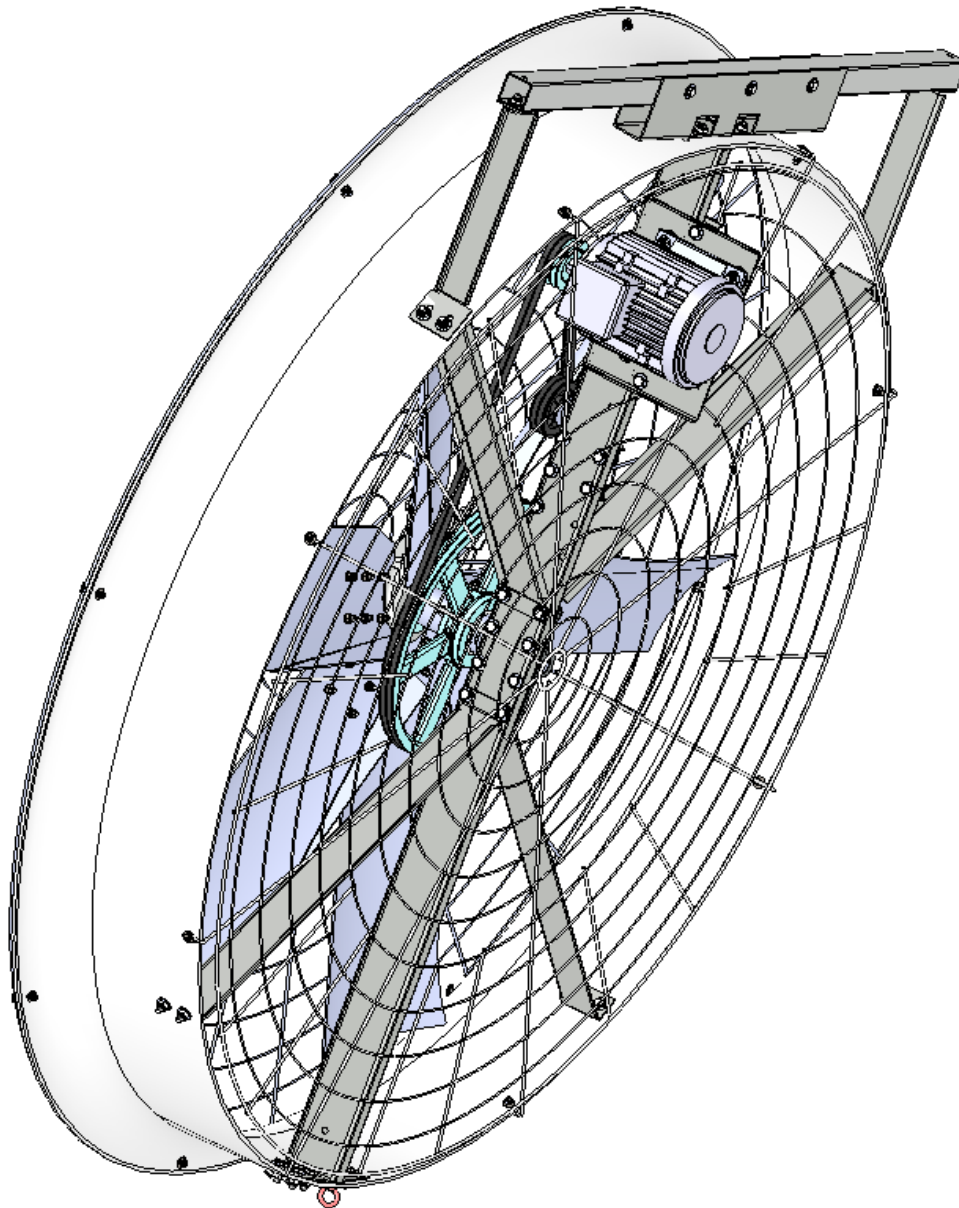


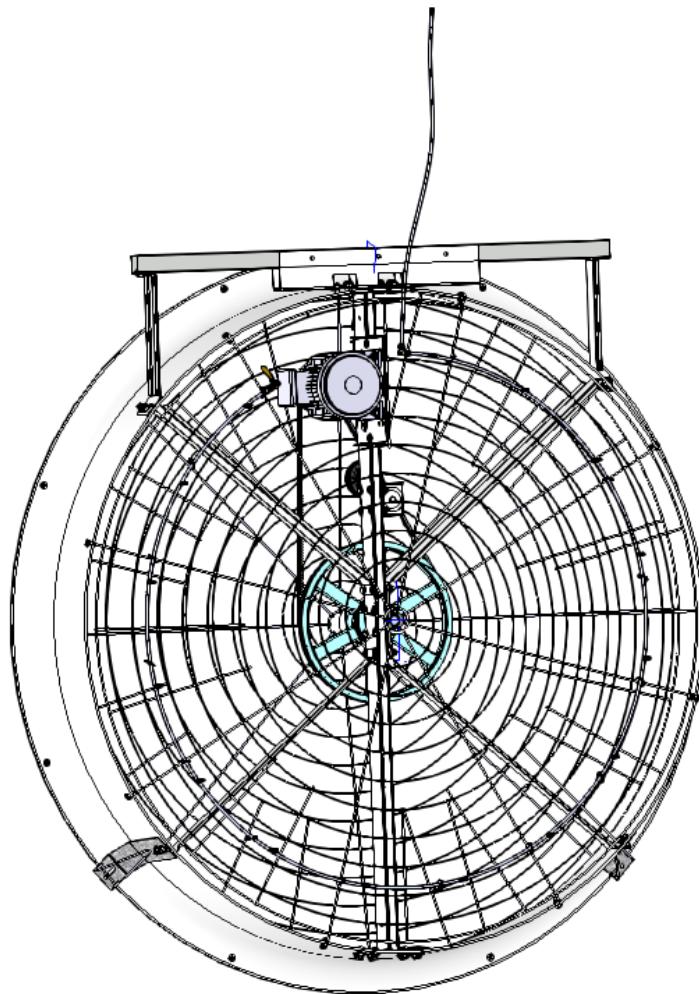
# HPF Manifold for 72" Breeze Fan

PIG-021-HPF\_Manifold\_72Breeze\_Fan-01



## HPF Manifold for 72" Breeze Fan

The instructions and information below are the guidelines to use when installing a High-Pressure Fogging (HPF) Kit to an Artex 72" Breeze Fan. When you are complete, your fan should look like one of the pictures below.

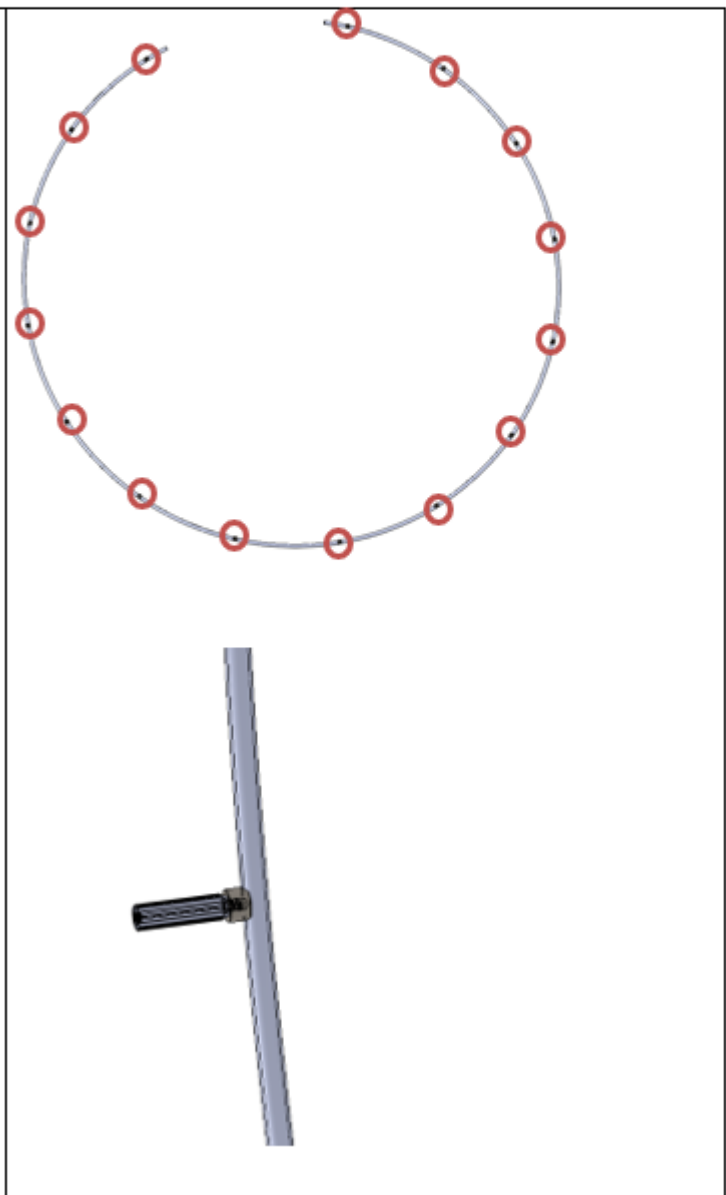


# HPF Manifold for 72" Breeze Fan

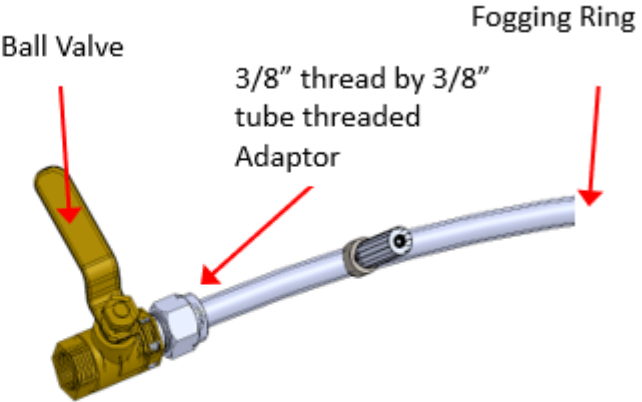
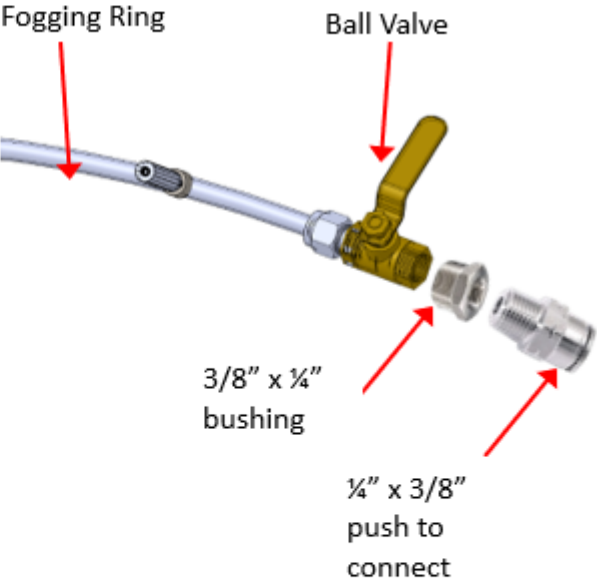
## Before You Begin

Location of the Fans have been determined	Refer to Layout Drawings
Make Sure you have all the parts	Refer to Appendix 1 - Parts List
You will also need the following tools/equipment	Refer to Appendix 2
Ensure the fans have been assembled according to the instructions	See 72" breeze fan install guide

## Procedure – Assemble the Fogging Ring

<p>1. Lay the fogging ring on a flat surface. Install 1 nozzle into each nozzle riser.</p> <p>There are 15 nozzles per fan</p> <p><b>Note:</b> Do not use thread sealant on the nozzle threads</p>	 <p>The diagram illustrates the assembly of a fogging ring. The top part shows a circular ring with 15 evenly spaced nozzle risers, each marked with a red circle. Below this, a close-up shows a nozzle being inserted into one of the risers on a vertical pipe.</p>
--	---

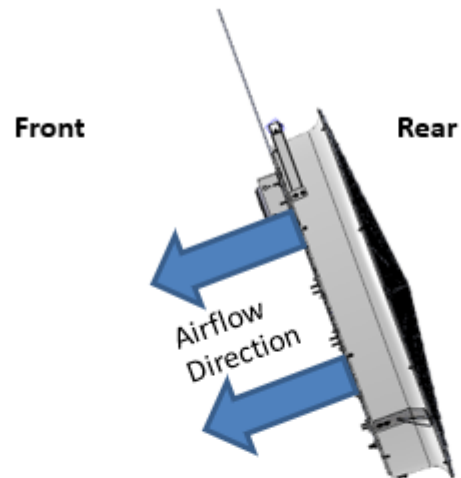
# HPF Manifold for 72" Breeze Fan

<p>2. Install a ball valve at both ends of the fogging ring.</p> <ul style="list-style-type: none"> <li>• Use the supplied threaded adaptor</li> <li>• Use thread tape on all threaded connections</li> </ul> <p><b>Note</b> one of the ball valves will be connected to the main water line, and one of the ball valves will remain closed.</p>	 <p>Ball Valve</p> <p>Fogging Ring</p> <p>3/8" thread by 3/8" tube threaded Adaptor</p>
<p>3. Into the end of one of the ball valves install the 3/8" x 1/4" bushing and the 1/4" x 3/8" push to connect fitting. This is where the main 3/8 nylon line will connect to.</p>	 <p>Fogging Ring</p> <p>Ball Valve</p> <p>3/8" x 1/4" bushing</p> <p>1/4" x 3/8" push to connect</p>
<p>4. Repeat this assembly process for each fan that has a fogging ring</p>	

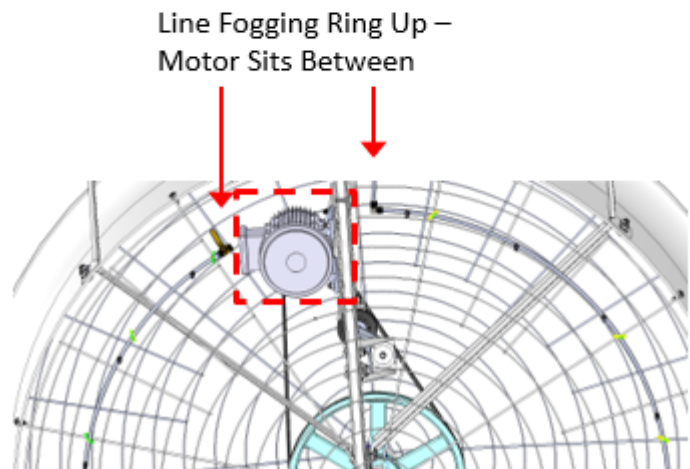
# HPF Manifold for 72" Breeze Fan

## Procedure – Install Fogging Rings

1. The fogging rings will mount to the guard on the front of the fan.



2. Use the cable ties provided to mount the ring to the guard of the fan.  
There are 14 cable ties per fogging ring. These should be evenly spaced around the circumference of the fogging ring  
**Note:** that the opening on the ring lines up with the motor





## HPF Manifold for 72" Breeze Fan

### Procedure – Connect High Pressure Line

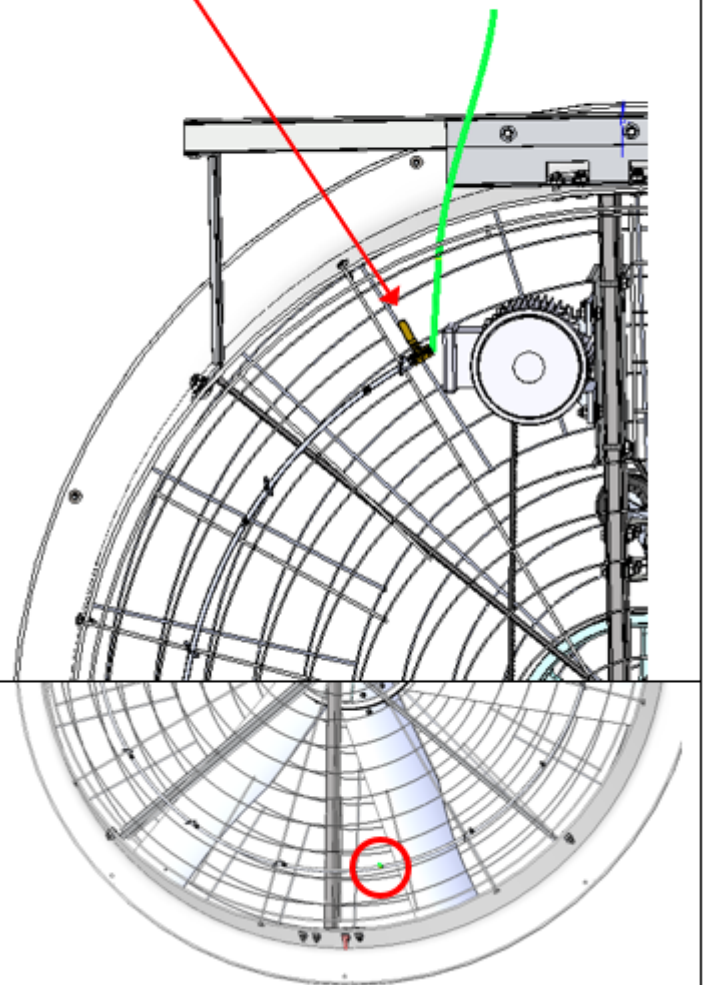
3. Once all of the rings have been mounted, connect the High-Pressure Line to threaded adaptor on the inlet ball valve.

**Note:** Refer to Pages 15 to 18 in the [High Pressure Fogging Installation Overview For Hope Garden Freestall Barn.pdf](#) for instructions on how to install the fogging lines from the pump to the fan.

**Note:** Use thread sealant on the nozzle threads

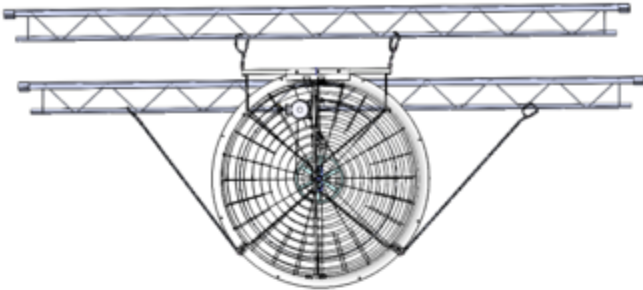
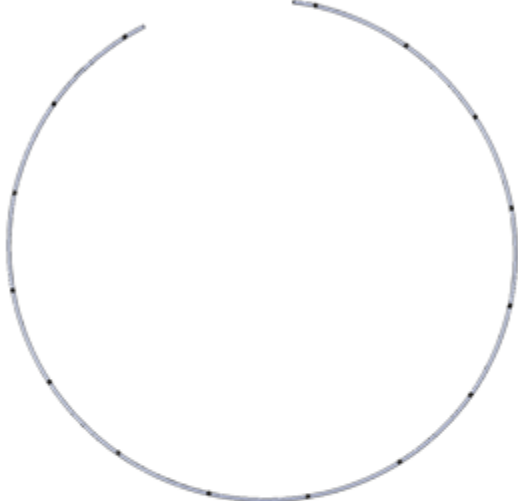

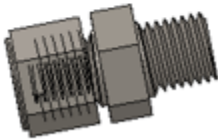

4. To drain water from the ring in the winter time, close both ball valves and remove the nozzle at the lower point on the ring. This will drain all the water from the ring and prevent damage due to freezing.

Connect main water line here






# HPF Manifold for 72" Breeze Fan

## Appendix 1 – Parts list

Description	Diagram	Quantity
72" breeze fans assembled and suspended		
<u>Fogging ring</u>		1 per fan
Fogging nozzles		15 per fan
3/8" thread by 3/8" tube Threaded adaptor		2per fan
¼" x 3/8" bushing		1 per fan

# HPF Manifold for 72" Breeze Fan

<p>¼" thread by 3/8 push to connect fitting</p>		<p>1 per fan</p>
<p>Ball valve</p>		<p>2 per fan</p>
<p>Cable ties</p>		<p>14 per fan</p>

## Appendix 2 – tools and equipment list

<p>Wrench and socket set</p>	 
<p>Spanner(s)/wrench</p>	





Install Guide

# HPF Manifold for 72" Breeze Fan