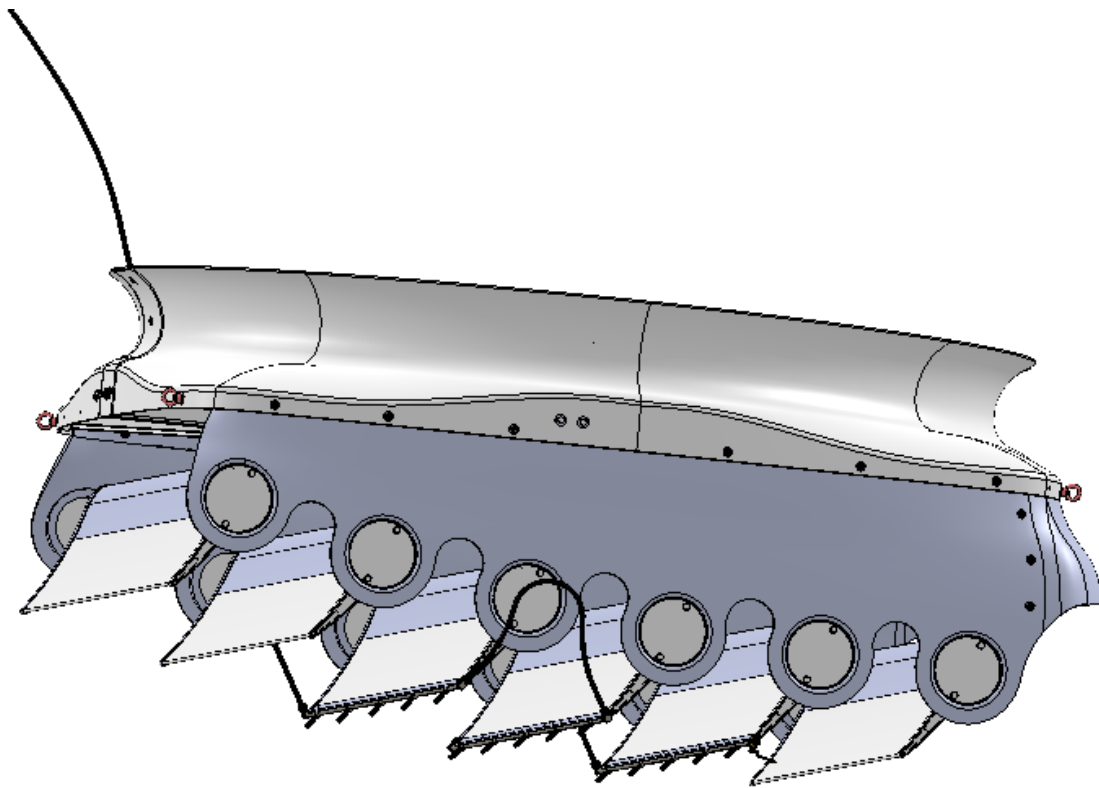


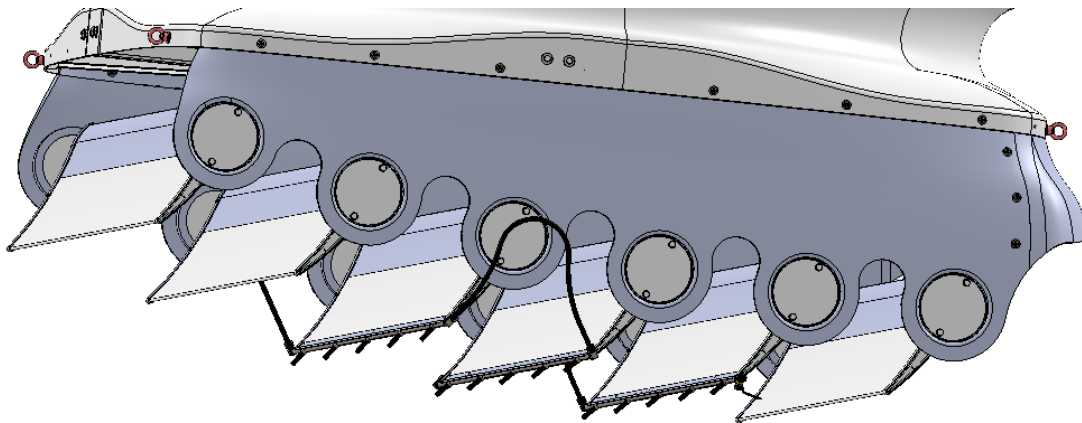
# HPF Manifold for 72" Fiberglass Storm BD

PIG-022-HPF\_Manifold\_72Storm\_Fan-01



## HPF Manifold for 72" Fiberglass Storm BD

The instructions and information below are the guidelines to use when installing fogging kits onto an Artex Storm fan. When finished, your fan should look something like the picture below.

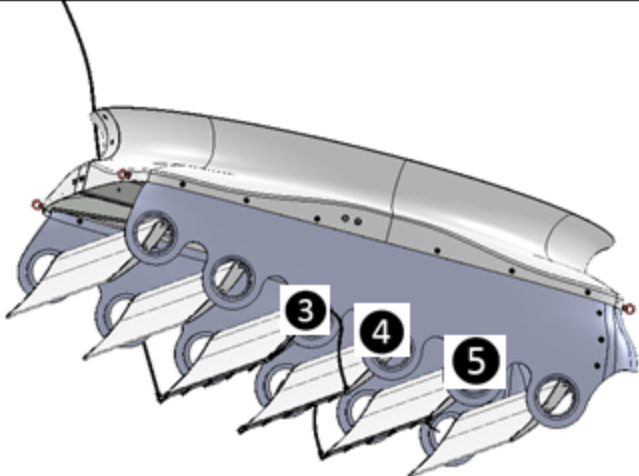
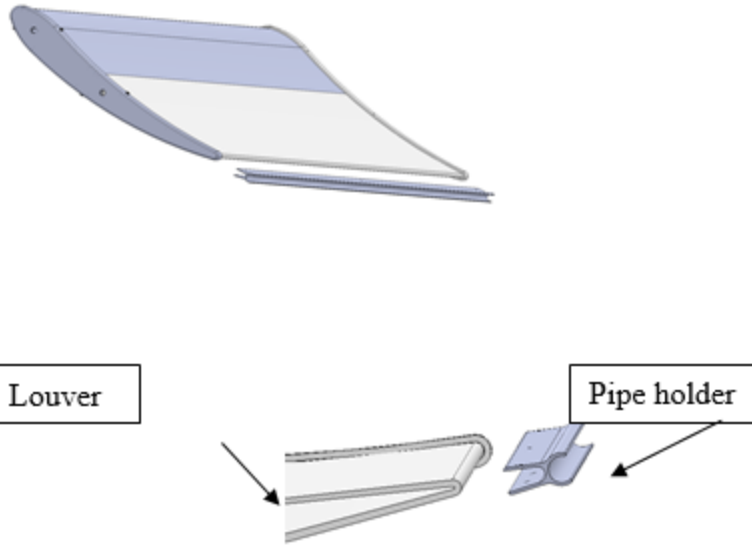


# HPF Manifold for 72" Fiberglass Storm BD

## Before You Begin

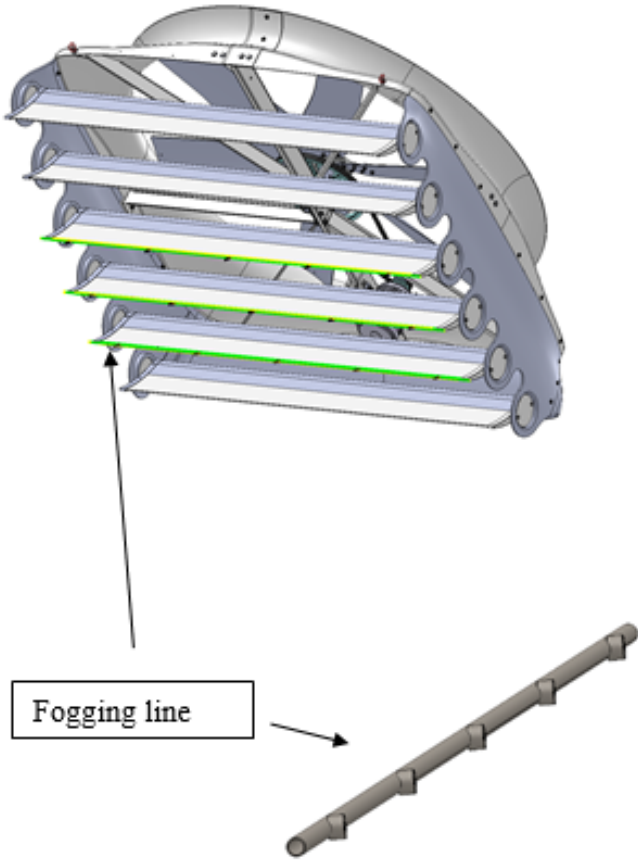
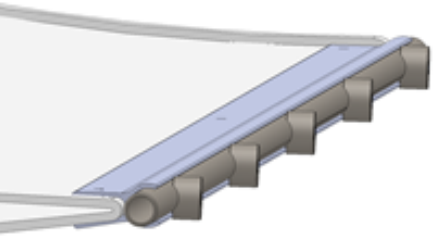
Ensure the fans have been installed according to the installation manual	See installation manual
Make Sure you have all the parts	Refer to Appendix 1 - Parts List
You will also need the following tools/equipment	Refer to Appendix 2 – Tools Required

## Procedure – install the PVC pipe holders on the louvers.

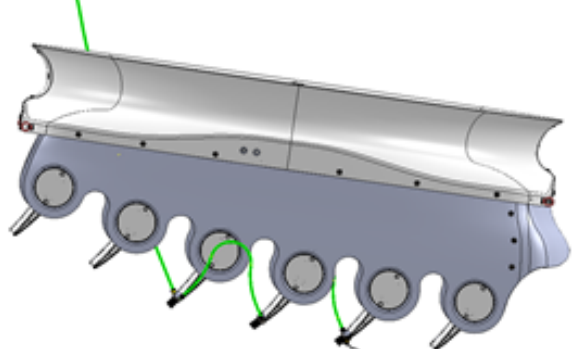
<p>1. There are 3 PVC pipe holders that will get installed onto the louvers. They will go on louvers 3, 4 and 5.</p>	
<p>2. Mount one pipe holder to the front of the louver using the supplied tapping screws. There are existing holes in the pipe holder.</p>	

# HPF Manifold for 72" Fiberglass Storm BD



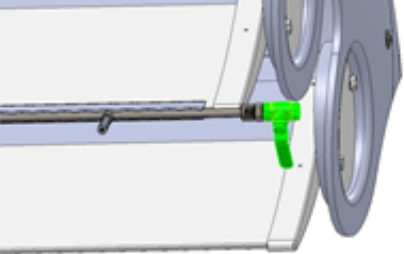
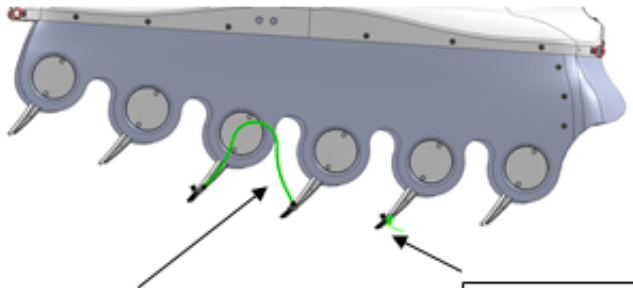
## Procedure – install the Stainless fogging lines

<p>1 There are 3 stainless fogging lines per fan. These will be installed into the plastic pipe holders that were installed in the previous step.</p>	
<p>2 Clip the stainless lines into the open end of the PVC pipe holder</p>	

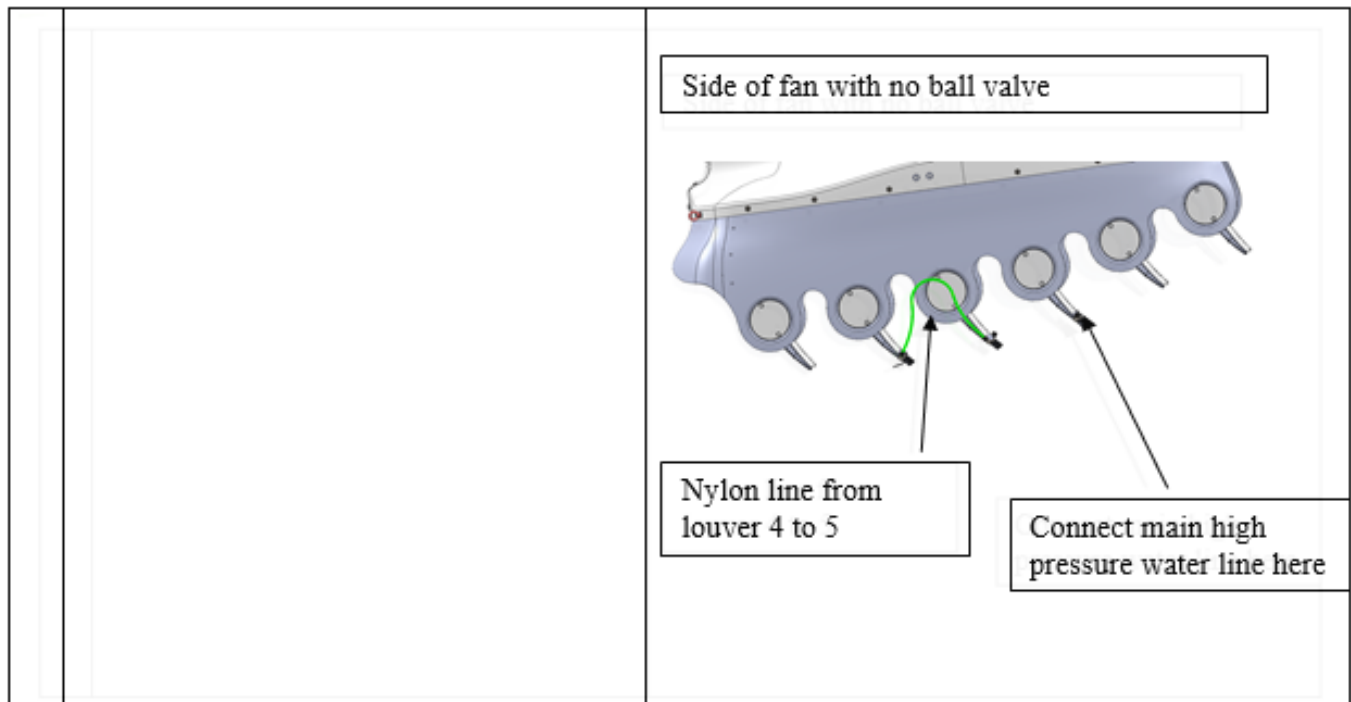
## Procedure – install the Nylon lines

<p>1. Connect the nylon lines into the <u>stainless steel</u> fogging lines.</p>	
--	--

# HPF Manifold for 72" Fiberglass Storm BD

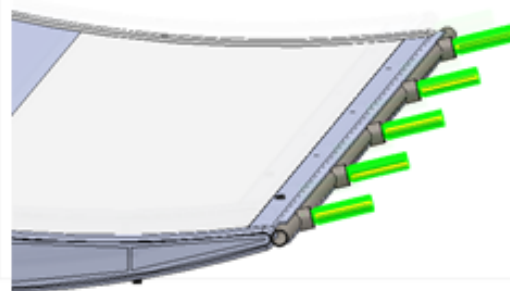
<p>2. On Louvers 3 and 4, install a <u>90 compression elbow</u> onto the end of each fogging line.</p> <p>On Louver 5, install a <u>90 compression elbow</u> onto one end and a straight threaded connector on the other.</p>	<div data-bbox="769 401 1360 453" style="border: 1px solid black; padding: 2px;"> <p>Louver 3 and 4 with 90 <u>elbow</u> on each end</p> </div>  <div data-bbox="769 674 1349 762" style="border: 1px solid black; padding: 2px;"> <p>Louver 5 with and elbow on one end and threaded connection on the other</p> </div> 
<p>3. On Louver 5, install the ball valve onto the straight threaded connection.</p> <p><b>Note:</b> use thread tape</p>	
<p>4. Using the supplied nylon line, connect the stainless lines to each other as per the diagram.</p> <p>The ball valve will be the drain, and the opposite end of the louver 3 will become the inlet.</p>	<div data-bbox="769 1381 1360 1434" style="border: 1px solid black; padding: 2px;"> <p>Side of fan with ball valve</p> </div>  <div data-bbox="769 1738 1060 1829" style="border: 1px solid black; padding: 2px;"> <p>Nylon line from louver 3 to 4</p> </div> <div data-bbox="1227 1738 1430 1850" style="border: 1px solid black; padding: 2px;"> <p>Ball valve to drain fogging line</p> </div>

# HPF Manifold for 72" Fiberglass Storm BD



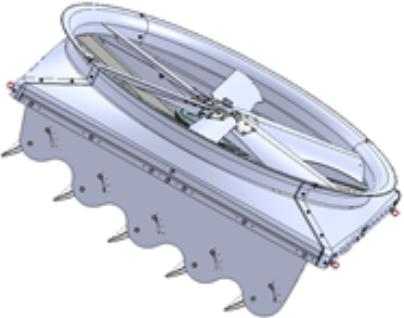



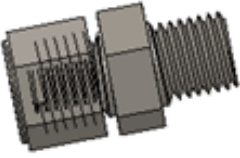

## Procedure – install the nozzles

- 1 Run water through all lines to flush out and small debris. Once the lines are clean you can install one nozzle into each nozzle riser. There are 5 nozzles per nozzle line, for a total of 15 nozzles per fan.





# HPF Manifold for 72" Fiberglass Storm BD

**Appendix 1 – Parts list per fan**

Description	Picture	Qty
Assembled storm fan		1
Stainless fogging lines		3
Fogging nozzles		15
90 elbows		5
Threaded connector		1
Ball valve		1



## HPF Manifold for 72" Fiberglass Storm BD

PVC pipe holders and hardware		3
Nylon line to connect fogging lines		3



# HPF Manifold for 72" Fiberglass Storm BD

## Appendix 2 – tools and equipment list

Spanner(s)/wrench	
Screwdriver set	
Thread sealant	