

V03 to TX Quick Install Manual

V03 TO TX QUICK INSTALL MANUAL:



V03 to TX Quick Install Manual

Safety Precautions

Read and understand this manual prior to installation or servicing your VES-Artex product.

For the safe handling of VES-Artex products, you will find the following safety words DANGER, WARNING, CAUTION and NOTICE throughout this manual. These will identify safety levels as described below. Failure to obey the safety measures may result in death, serious injury or damage to the product.

Use best industry practices when handling tools and equipment. When handling VES-Artex products follow all federal, state, and local safety codes as it related to the work being performed.

Safety Alert Key



Indicates an imminently hazardous situation which, if not avoided will result in death or serious injury.



Indicates a potentially hazardous situation which, if not avoided could result in death or serious injury.



Indicates a potentially hazardous situation which, if not avoided could result in minor or moderate injury.



Used to address practices not related to personal injury.

General Safety



1. Verify lifting equipment is safe prior to fan handling.
2. Electrocution. Disconnect fan prior to any service.
3. Electrical wiring must be completed by qualified personnel in accordance with all applicable codes.
4. Verify the electrical system is properly grounded prior to installing fans.



1. Keep hands and objects away from rotating fan blades.
2. Fans with blades rotating below 7 feet (2.3 meters) must be fastened with guards.
3. Heavy load. Handle fans with a safe and secure method.
4. Falling damage. Mount fans with VES-Artex approved hardware.
5. Always wear eye protection when installing and servicing VES-Artex products.



1. Follow all federal, state and local safety codes as it relates to work being performed.

V03 to TX Quick Install Manual

TOOLS NEEDED:

Drill



17mm Crescent
Wrench



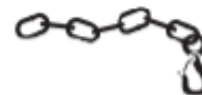
17mm
Socket



5mm
Hex Key



Lift
Chain



DISCONNECT POWER

Before performing the V03 to TX motor swap, disconnect the power to the motors. See the warning below for more safety recommendations.



DANGER



Be sure that power is disconnect from fan and control prior to any installation work.

NOTICE

All electrical work must be done by a certified electrician.

NOTICE

Read and adhere to all safety warnings.



CAUTION

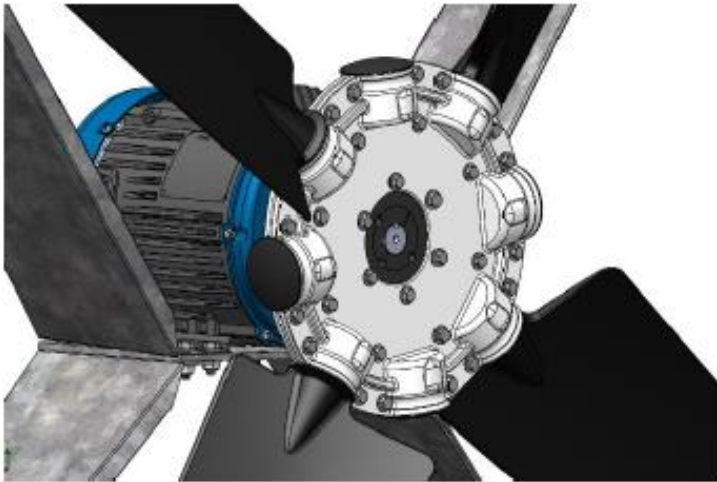


Verify the electrical system is properly grounded prior to installing fans.

Torque for M10 Stainless steel is 42 N-m or 370 in-lbs

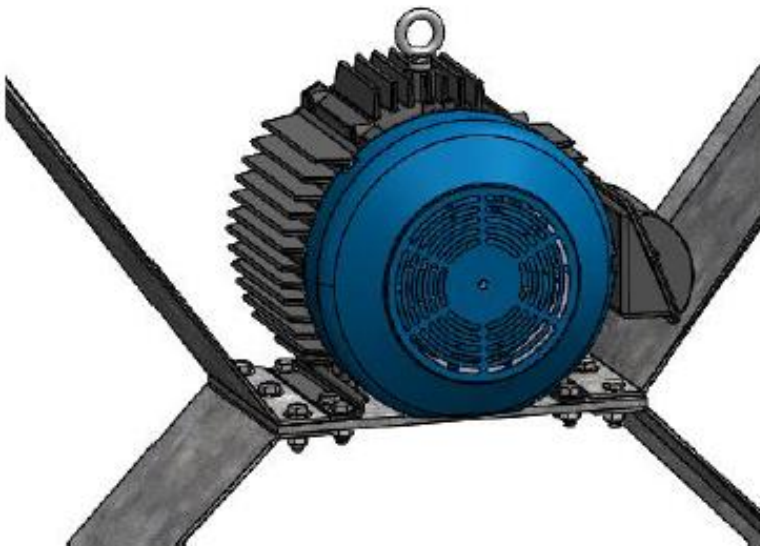
V03 to TX Quick Install Manual

REMOVE BLADE



Using a 5mm hex key remove the bushing and fan blade from the V03 shaft. Back out the two set screws and then insert a set screw in the center hole to remove the bushing and fan blade.

REMOVE V03 MOTOR

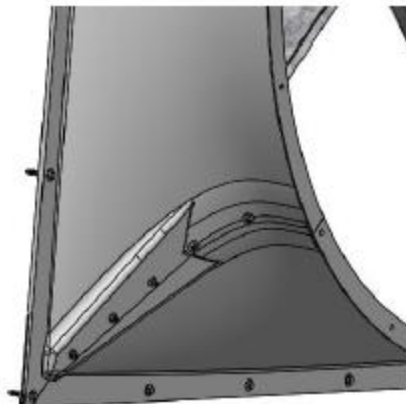
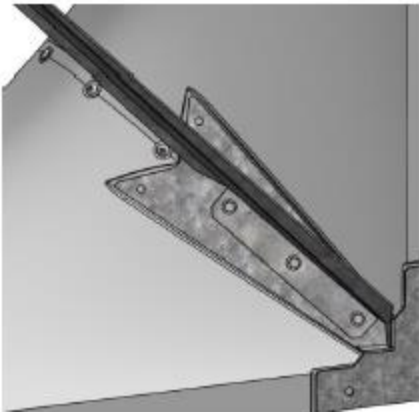
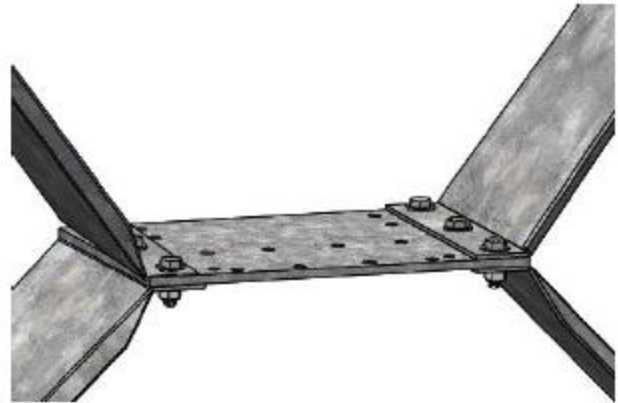


Remove the V03 motor by first unscrewing the M10 bolts from the V03 to the motor mount. Take a chain and using a forklift or telehandler to remove the motor by screwing in an M10 eyebolt in the top as seen in the image to the left

V03 to TX Quick Install Manual

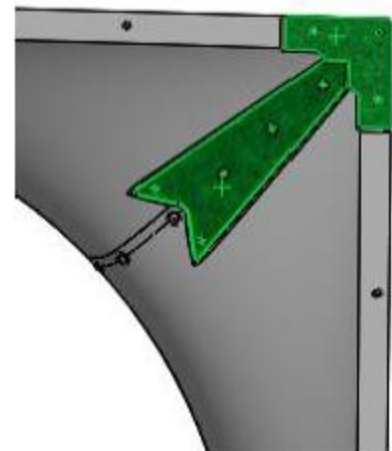
REMOVE V03 MOTOR BRACKETS

Disassemble the remaining brackets using a 17mm crescent and 17mm socket.



Notice: 2 people will be needed to remove the corner bolts as seen in the left. One for the inside of the barn, and one of the outside of the barn

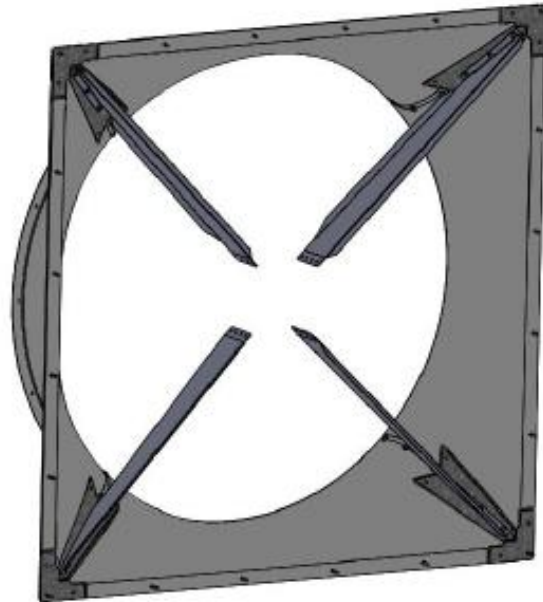
Leave the bracket highlighted in green for the TX bracket and motor install.



V03 to TX Quick Install Manual

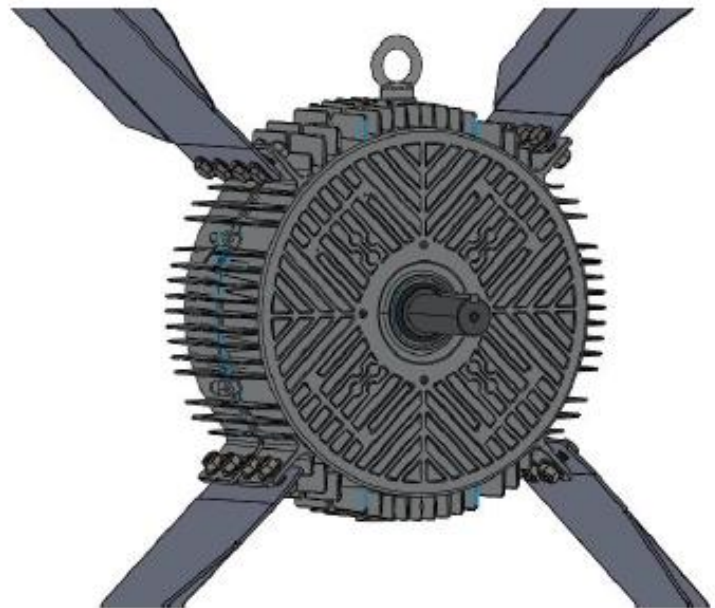
NEW BRACKETS

Install the brackets and check the torque of the new brackets. (See first page for torque specs.)



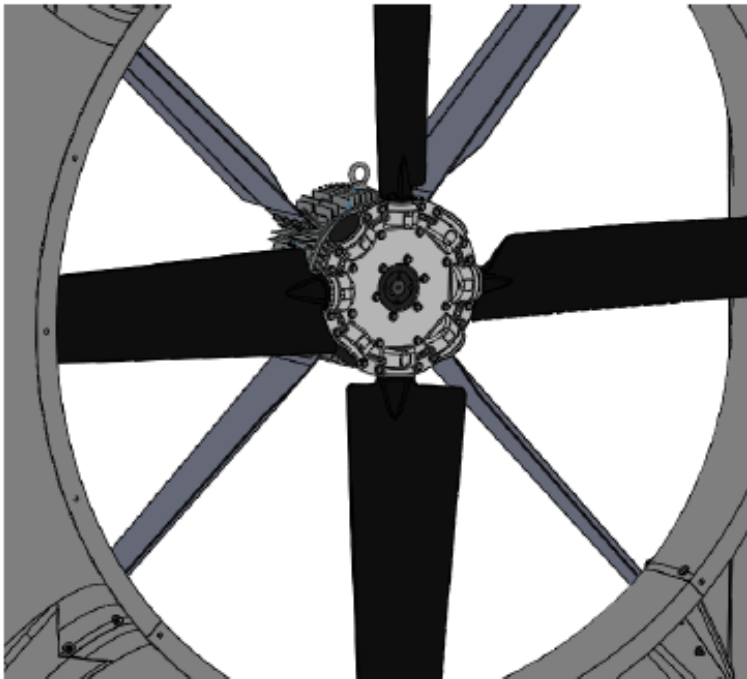
INSTALL NEW TX MOTOR

Using a chain around the eyebolt, mount the motor into the brackets and attach bolts and nuts.



V03 to TX Quick Install Manual

INSTALL BLADE



Finish the install by sliding the fan blade assembly onto the shaft and keep the fan blade bushing flush with the end of the shaft.

Tighten down the set screws using a 5mm hex key and rotate the blade to ensure proper clearances.

V03 to TX Quick Install Manual

PIG-025-Quick_Install_V03_to_TX-01

