

Palpation Rail

PSS-078-Palpation_Rail-01

Safety and convenience when working with your animals

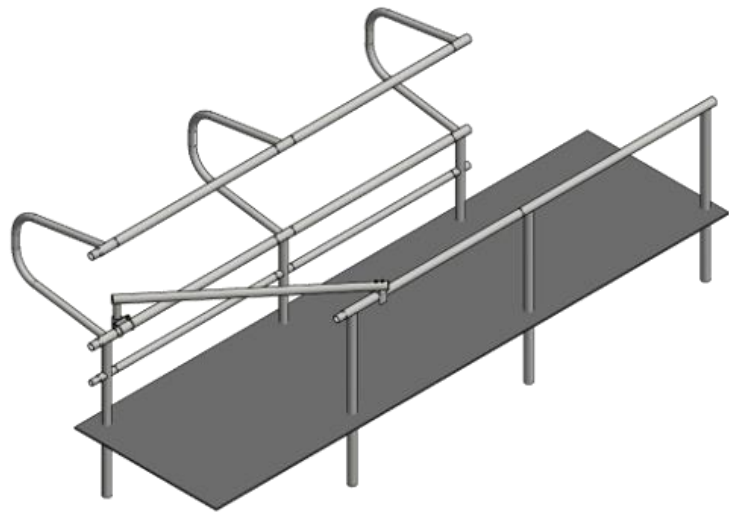
A palpation rail is used to position a group of cows for examination or insemination. Our palpation rail is pre-galvanized for a longer life and based on the number of animals you will expect in your palpation rail, we can help your with just the right size for the job.

BENEFITS

- Safety when working with animals
- The convenience of having all of the animals that need attention together, no more walking the pens
- Speed of vet checks and insemination because they animals are easy to access and all in one location

FEATURES

- Pre-galvanized post and pipe with a hot dipped option as well
- Easy to install and create the right size needed



Part #	Catalog Description	Outside Diameter OD - A		Length - B		Wall thickness		Details
		mm	inch	m	Inches	mm	inch	
Curved Fence Upright Post Hot Dipped								
107633	Palpation Curved Fence Upright Post - Embedded	76	3	2.46	96 7/8	3.5	1/8"	1 EA
Round Post Pre-Galvanized								
106303	Round Post	89	3 1/2	2	78 3/4	4.75	3/16	Hook on One end
106302	Round Post	89	3 1/2	2.4	94 1/2	4.75	3/16	Hook on One end
Mounting Rail Hot Dipped								
35639	Palpation Rail Rear Crowd Bar	73	2 7/8	2.21	87 1/16	4.6	3/16	1 EA
Straight Pipe Pre-Galvanization								
106315	Mounting Rail	60	2 3/8	5.79	19	3	1/8	Swaged End
106410	Mounting Rail	76	3	5.79	19	3.5	1/8	Swaged End
Part #	Catalog Description	Post Size		Pipe Size		Details		
		mm	inch	mm	Inches			
Cross Rail Pivot Bracket Hot Dipped								
35635	Palpation Rail Cross Rail Pivot Bracket	76	3	60	2 3/8	Kit (1 x Bracket/Hdw)		
Part #	Catalog Description	Bar #	Length		Post size			
			m	Inch	1st Post		2nd Post	
					mm	inch	mm	inch
Rail Fence Beginning Panel Hot Dipped								
107632	Rail Fence - Beginning Panel	1	2	78 3/4	76	3	76	3
Rail Fence Middle or Ending Panel Hot Dipped								
107631	Rail Fence - Middle or Ending Panel	1	1.89	74 13/16	n/a	n/a	76	3