

PPFS55 Quick Install Guide



PPFS55 Quick Install Guide

Please follow all warning guidelines, failure to do so could result in serious injury or death. Assembly/Installation of the fan should be carried out by qualified professionals.

During transportation parts on the fan may become loose and need to be checked during and after installation.

- Ensure all hardware is tight and secure
- Ensure alignment of pulleys is correct (please see page XX for pulley alignment instructions)
- Ensure proper belt tension is maintained (please see page xx for proper belt tension recommendations)

DANGER: Electrical Hazard

Disconnect electrical power before installing, inspecting or servicing equipment. All electrical wiring must be done by a qualified electrician in accordance with all Local and National electrical and safety codes, as well as the National Fire Protection Agency (NFPA) where applicable.

General Safety Information

⚠ WARNING *Disconnect power supply before wiring connections are made to prevent possible electric shock or damage to equipment.*

⚠ WARNING *Read and follow instructions carefully. Failure to comply with instructions could result in fire, electric shock, injury to persons and/or damage to equipment.*

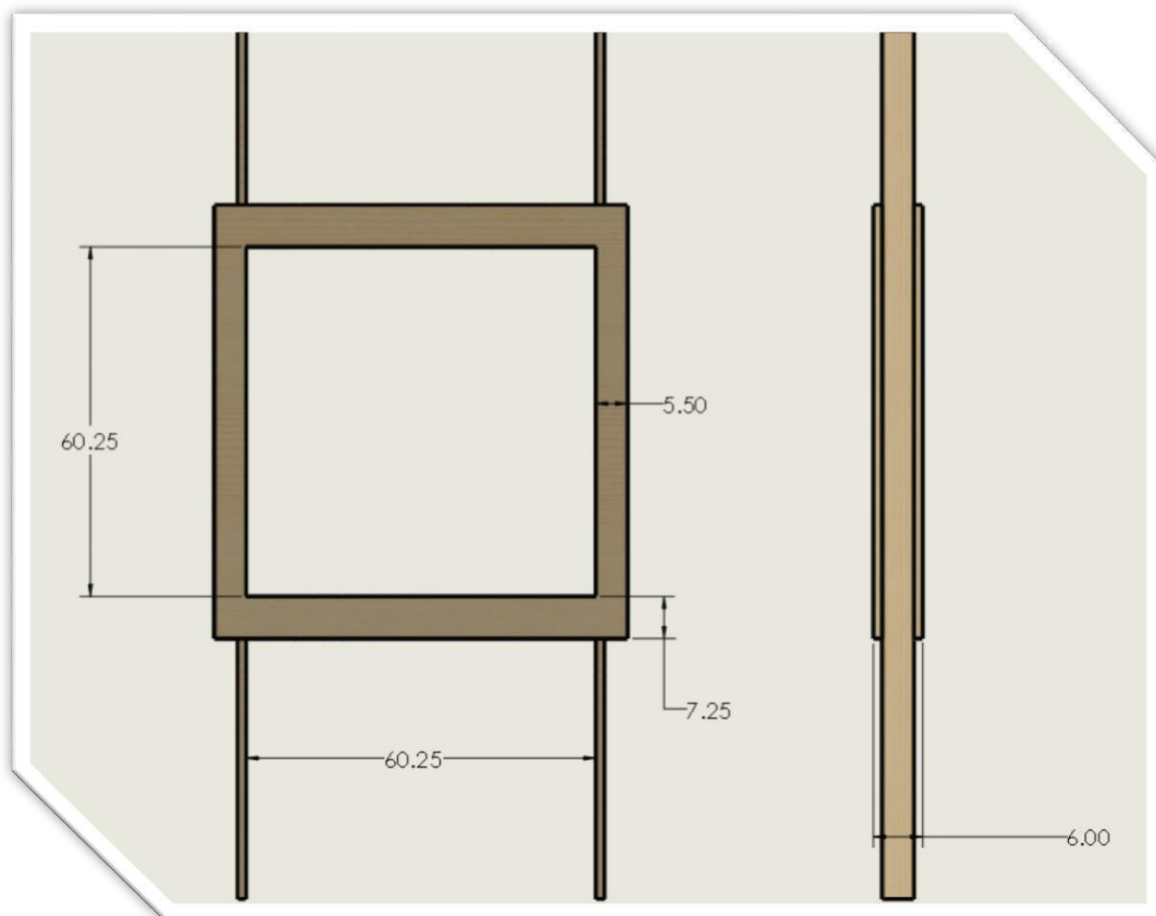
⚠ CAUTION *Follow all maintenance procedures enclosed.*

⚠ DANGER *Failure to properly ground unit could result in severe electrical shock or death.*

PPFS55 Quick Install Guide

INSTALLATION:

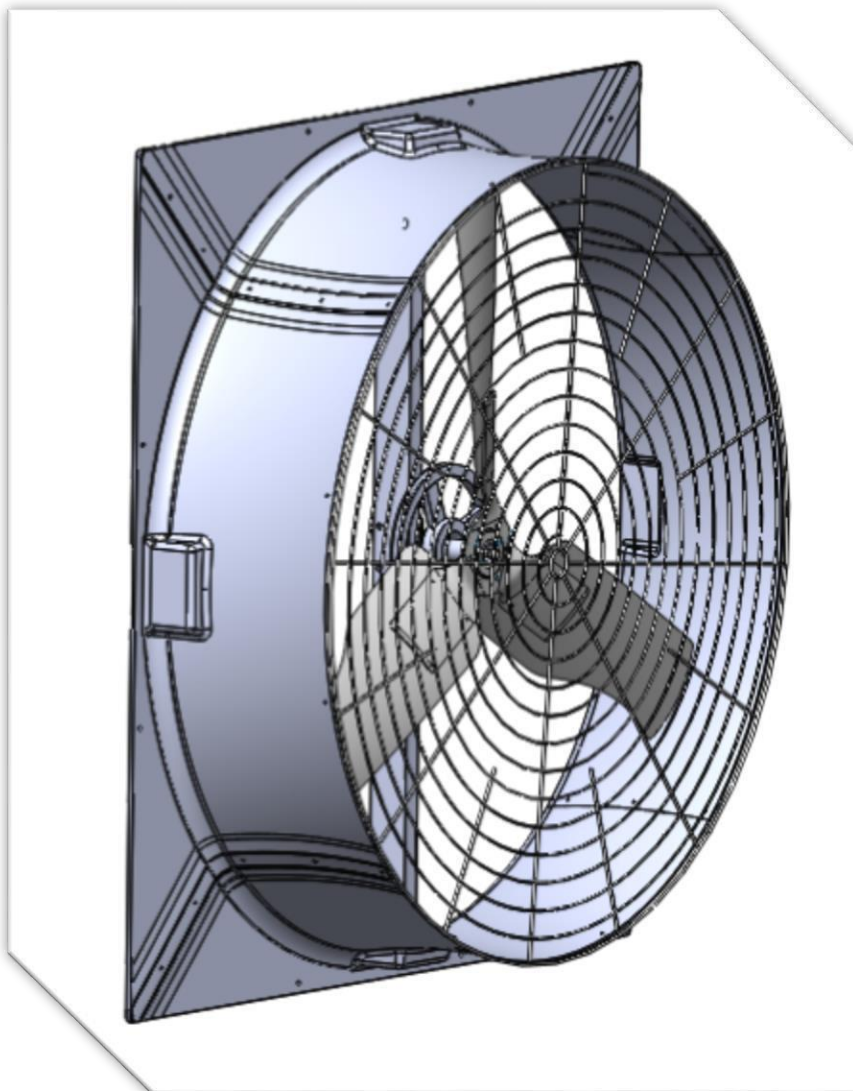
- Check framing for square, see framing dimensions below
- Minimum of 6" wall thickness is required
- Picture frame should be on interior and exterior wall (wood construction)
- The top and bottom boards should be 2 X 8 material. The side blocking can be 2 X 6



PPFS55 Quick Install Guide

UNPACK FAN:

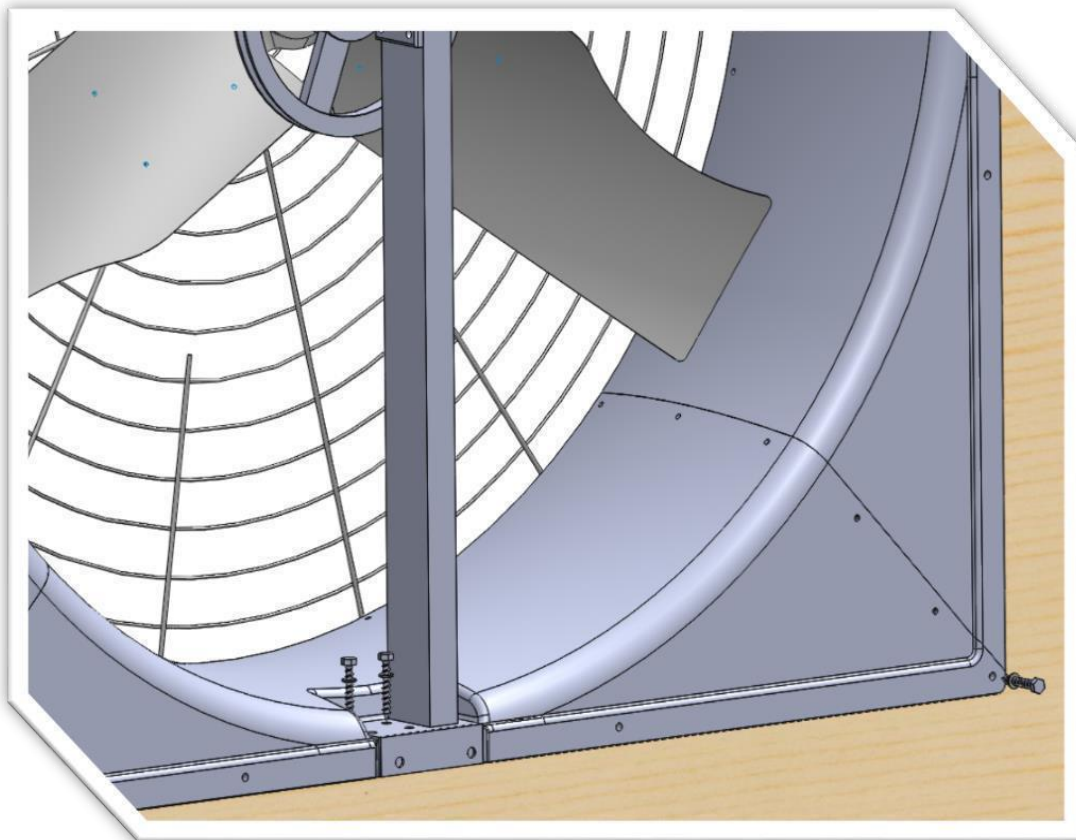
- Place round guard on venturi of fan
- Secure using appropriate hardware from hardware pack (see cut sheet)



PPFS55 Quick Install Guide

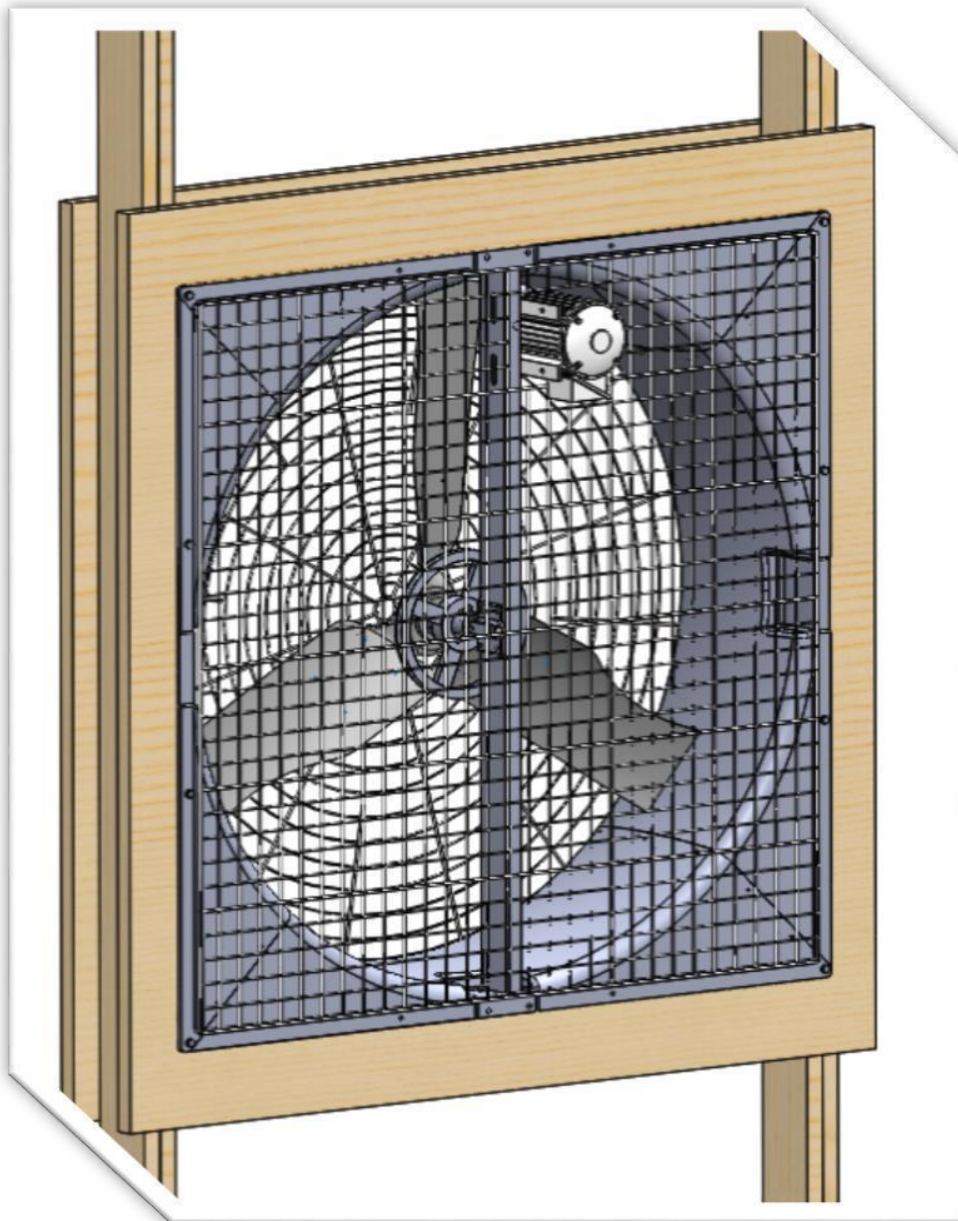
INSTALLATION:

- Place fan in wall and make sure it is pressed firmly against the framing and secure with two M8 X 60MM lags and M9 washers into upper and lower seals see attached hardware pack diagram
- Using the remaining 16 – M8 X 60MM and M8 washers to secure the fan to the wall



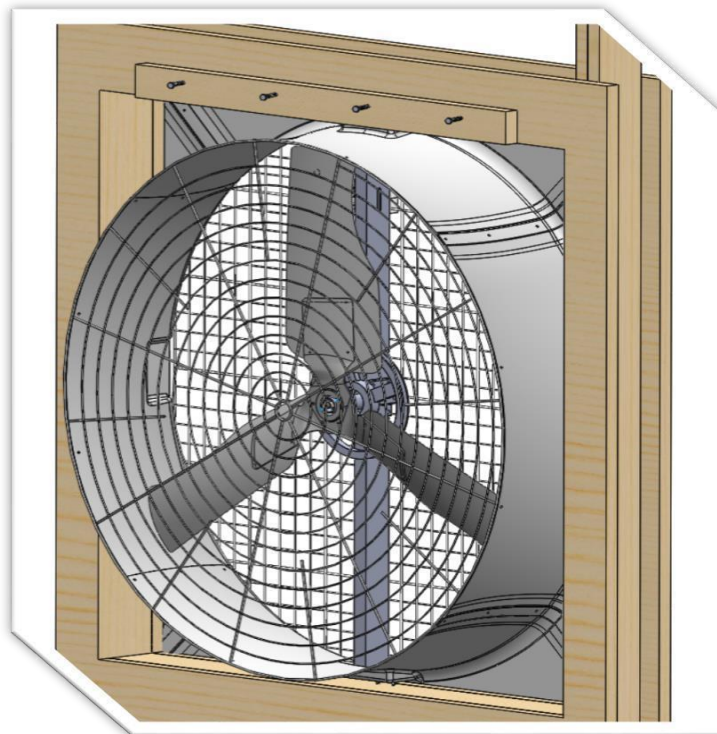
PPFS55 Quick Install Guide

- Place square guard on face of the fan with moto cut-out orientated to go over portion of motor sticking out
- Secure guard using hardware supplied (see cut sheet)



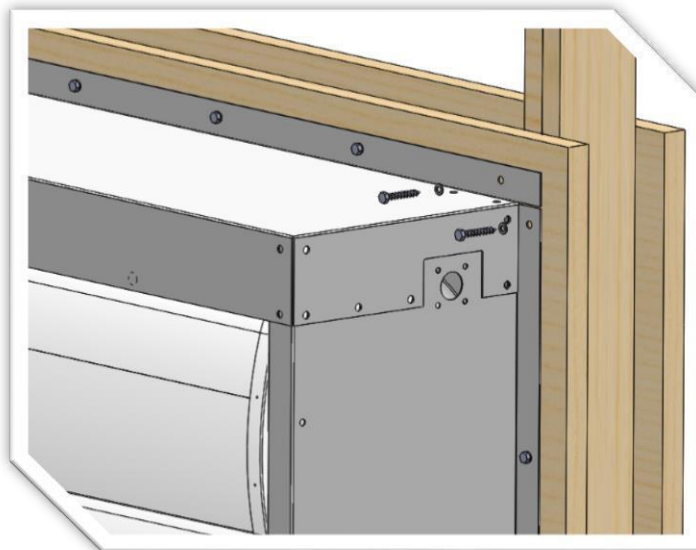
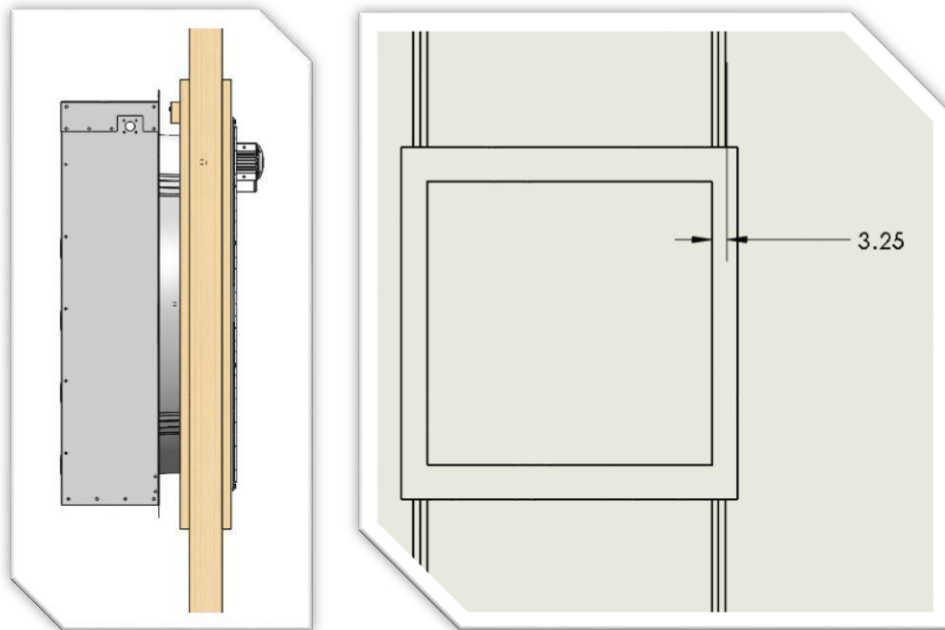
PPFS55 Quick Install Guide

- Prepare to mount the actuated shutter box to exterior wall
- Two suggested options for ease of install are shown
- Option one will be mounting a 4-foot 2X4 to the upper portion of the rough opening on the exterior of your existing framing, the board should be centered on the rough opening and flush with the upper opening. This board can remain in place after install
- Be sure to use appropriate hardware (not supplied) to mount the 2X4 to framing as this will hold the weight of the unit until lags are in place in the flange of shutter box



PPFS55 Quick Install Guide

- Hook shutter housing on upper install board and press unit firmly against the framing, the outer edge of the flange should be marked at 3.25" from inside edge of the rough opening to ensure that the unit is centered in the opening secure using the 24-lags and washers



PPFS55 Quick Install Guide

MOTOR WIRING:

All electrical work must be ***completed by a licensed electrician in accordance with all local and national electrical and safety codes, as well as the National Fire Protection Agency (AFPA) where applicable.*** Check and make sure all electrical power supplied to the motor is disconnected prior to completing any work on the fan.

1. Ensure that power to be supplied to the motor matches what is specified on the motor name plate.
2. Remove the motor access cover and follow wiring diagram located on the motor plate or on the inside of the motor access cover. If the motor is dual voltage, please follow the wiring instructions that associate to the power to be supplied to the motor.
3. If a VFD is being used, we recommend that a VFD rated motor cable be used to reduce noise related issues. Only ground the shield on the VFD side to eliminate a ground loop.
4. Please form a drip loop before entering the VFD (if used)/motor to eliminate potential damage from moisture.